



# LT25 AB, SS Parts List

**PRICE® PUMP CO.**

LT25 ABSS plist.doc rev. B

Key #	Description	Quantity	LT25AB Part #	LT25SS Part #
A.	Volute Cover	1	0312	0313
B.	Gasket	1	0317 (Syn. Fiber)	0318 (PTFE)
C.	Impeller	1	0314-(Imp. Size)	0315-(Imp. Size)
D.	Shaft w/ Setscrews	1	0316-1	0316-1
E.	Volute Bolts	6	0376	0917
F.	Motor Bolts	4	0591	0591
G.	Impeller Lock Nut	1	0897	0897
H.	Volute Bracket	1	0306	0311
	w/T.9 Seal		0306-5	0311-5
	w/Internal single flush		0306-4	0311-4
	w/External single flush		0306-2	0311-2
	for Double Seal		0306-1	0311-1
	Seal with Seat			
J <sup>1</sup> .	T.21 Single Seal/seat Fluorocarbon (std)	1	0553	0553
J <sup>2</sup> .	T.9 Single Seal/seat PTFE*	1	1150	1150
J <sup>3</sup> .	T.21 Double Fluorocarbon Seal/seat	2	0985	0985
	DS Seal Cover	1	0973	0973
	DS Seal Cover Gasket, PTFE	1	0974	0974
	Seal Cover Bolts	3	0256	0256
K <sup>1</sup> .	Motors	1	Specify P/N	Specify P/N
	1/8HP, 1800 RPM, 1/60/115/230, TEFC		1608	1608
	1/3HP, 3600 RPM, 1/60/115/230, DP		1438	1438
	1/3HP, 3600 RPM, 1/50/60/100/200/115/230, TEFC		1439	1439
	1/3HP, 3600 RPM, 3/50/60/220/440/230/460, TEFC		1440	1440
	1/3HP, 3600 RPM, 1/50/60/115/230, X-P		1441	1441
	1/3HP, 3600 RPM, 3/50/60/220/440/230/460, X-P		1442	1442
K <sup>2</sup> .	Power Frame	1	0500	0500

### LT Repair Parts Kits

Bronze - P/N 0725 (includes Synthetic Fiber Gasket, Shaft w/setscrews)

Stainless Steel - P/N 0726 (includes PTFE Gasket, Shaft w/setscrews)

**Note:** Seal/seat must be ordered in addition to repair kit.

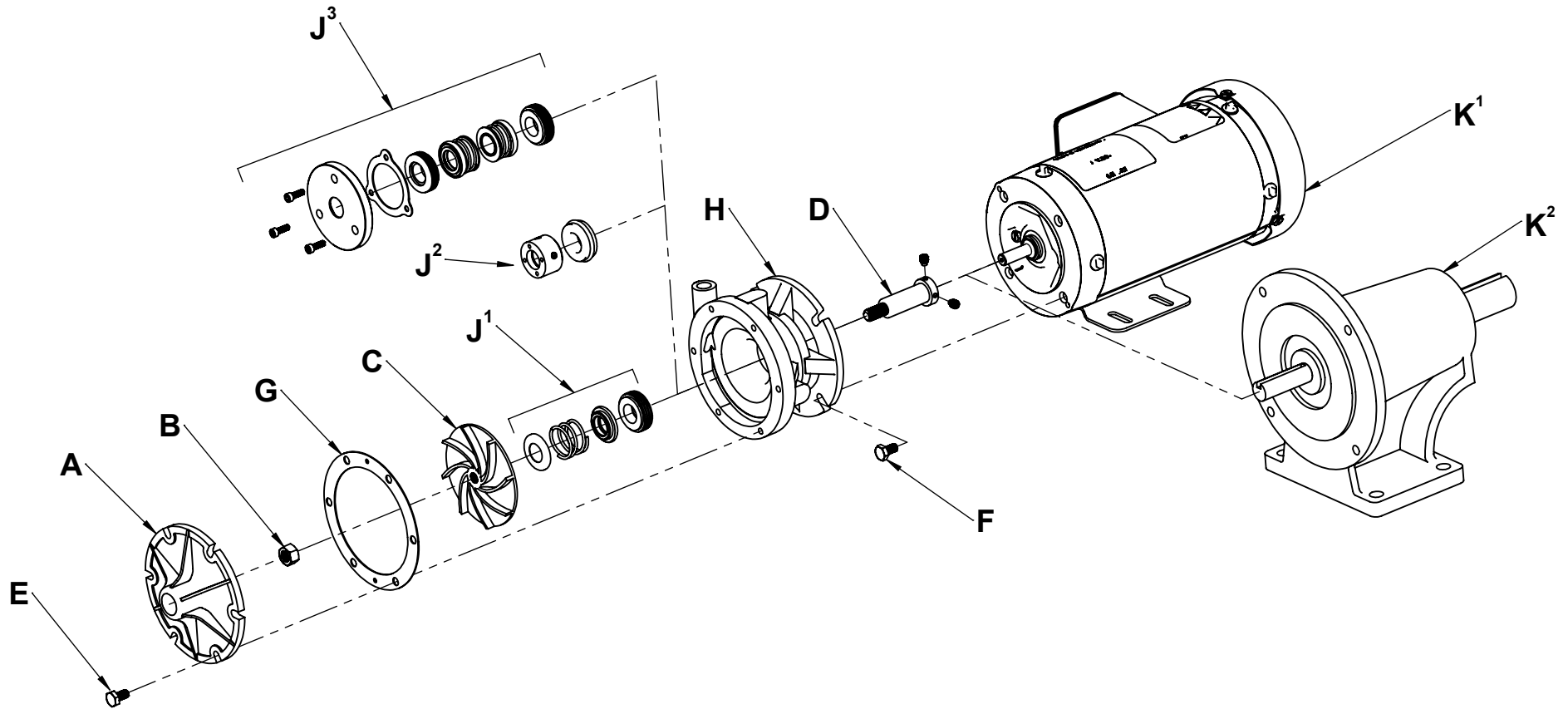
5/8" T.21 Fluorocarbon Seal is standard. Option: 5/8" T.9 Seal

\* T.9 Seal only to be used w/ 0306-5 (AB) or 0311-5 (SS) bracket.



LT 25

LT25\_P.drw Rev. B



PRICE<sup>®</sup> PUMP CO.

2203 SMEED PKWY • CALDWELL, ID 83605 • (208) 402-6871