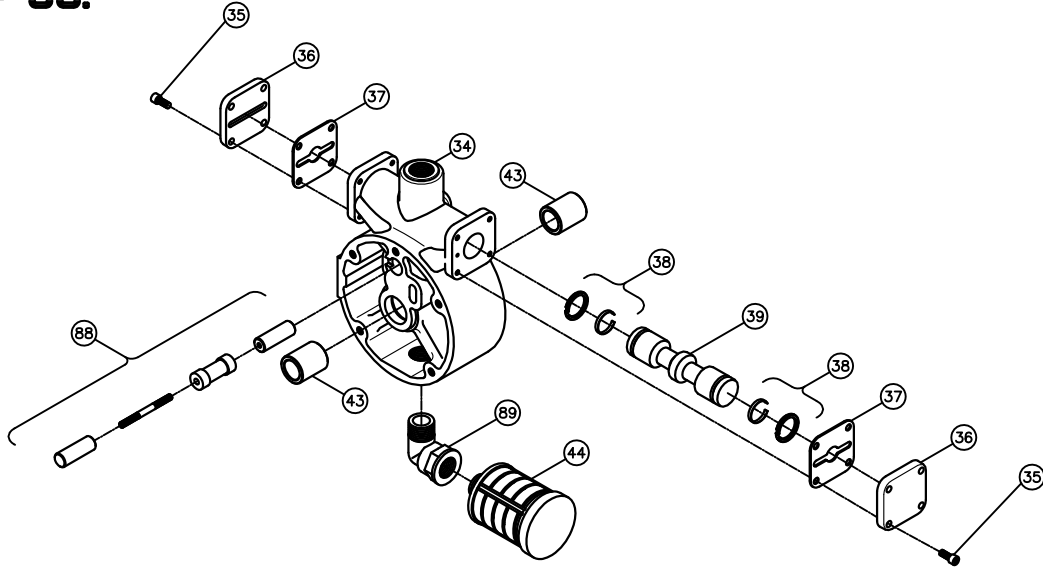
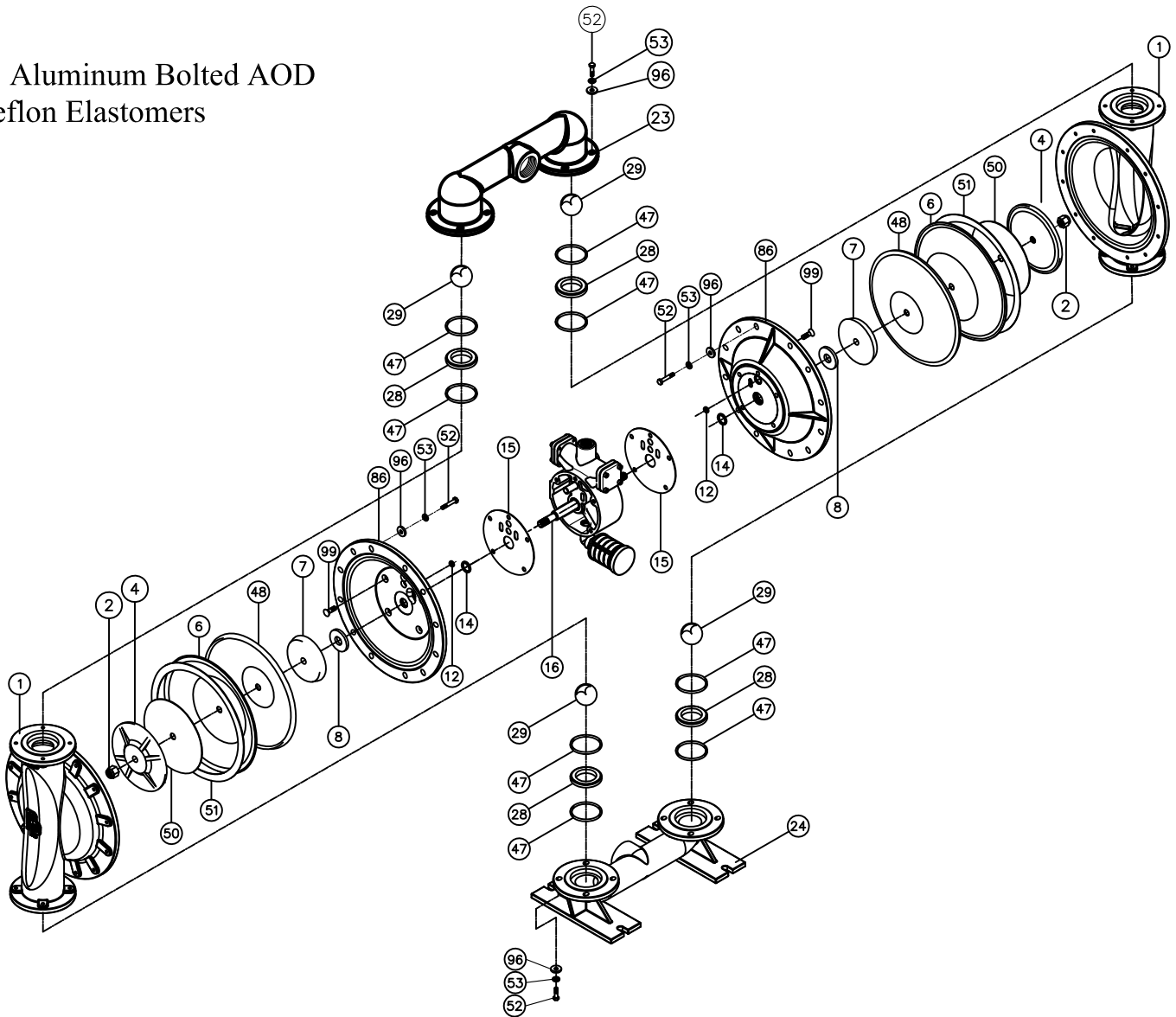




PRICE PUMP CO.



2" Aluminum Bolted AOD
Teflon Elastomers



Price® Pump Co.



2" AOD Bolted Aluminum Parts List

(Teflon Elastomers)

PRICE® PUMP CO.

AOD2BAL-Tplist.doc rev. A

Key #	Description	Quantity	Part #	Material
1	Chamber, Pump	2	47-132-56	Aluminum
2	Lock Nut	2	51-775-00	Steel- Zinc Plated
4	Plate, Diaphragm (Outer)	2	44-752-04	Aluminum
6	Diaphragm	2	44-101-50	Teflon
7	Plate, Diaphragm (Inner)	2	45-504-00	Aluminum
8	Bumper	2	44-106-00	Polyurethane
12 +	Seal	2	46-060-00	Molythane
14 +	Seal	2	44-372-00	Molythane
15 +	Gasket, Air Valve / Chamber	2	44-453-00	Lexide
16	Shaft, Pump	1	49-175-00	Stainless – Nitrided
23	Manifold, Discharge	1	47-130-56	Aluminum
24	Manifold, Suction	1	47-131-56	Aluminum
28	Seat, Ball Valve	4	46-222-10	Aluminum
29	Ball Valve	4	44-102-50	Teflon
34	Housing, Spool	1	47-339-04	Aluminum
35	Cap Screw, Socket Head	8	51-640-00	Stainless Steel
36	Cap, Spool, Air Valve	2	45-452-00	Nylon, Glass Filled
37 +	Gasket, Cap	2	46-218-00	Polyurethane
38 +	Piston Ring w/ Expander	2	44-366-00	Phenolic / Stainless Steel
39 +	Spool, Air Valve	1	47-180-00	Phenolic
42 +	Elbow	1	44-128-00	Polypropylene
43 +	Sleeve, Bushing	2	44-120-00	Bronze
44 +	Muffler	1	44-127-66	Polypropylene
47	O-ring	8	46-317-00	Teflon
48	Back-up Diaphragm	2	46-233-00	Buna
50	Diaguard	2	45-503-00	Teflon
51	Gortex Tape	2	60-001-00	Teflon
52	Cap Screw	40	60-024-00	Stainless Steel
53	Lockwasher	40	60-055-00	Stainless Steel
86	Chamber, Air	2	47-237-04	Aluminum
88 +	Pilot Spool, Air Valve	1	47-587-00	Phenolic / Stainless Steel
96	Flat Washer	40	60-050-00	Stainless Steel
99	Capscrew, Flat Socket Head	10	60-034-00	Alloy – Zinc Plated
	Air Valve Rebuild Kit			
	-Includes All Parts with +	1	47-665-00	
	Elastomer Kit	1	46-439-56	

Price® Pump Co.

21775 Eighth Street East * Sonoma, CA 95476-0329 * (707) 938-8441 * Fax (707) 938-0764