



2" AOD Bolted Stainless Steel Parts List

(All Elastomers Except Teflon)

PRICE® PUMP CO.

AOD2BSSplist.doc rev. D

Key #	Description	Quantity	Part #	Material
1	Chamber, Pump	2	46-120-10	Stainless Steel
4	Plate, Diaphragm (Outer)	2	44-905-10	Stainless Steel
5	O-Ring	2	44-130-00	Neoprene
6	Diaphragm	2	44-101-**	Customer Preference
7	Plate, Diaphragm (Inner)	2	44-108-04	Aluminum
8	Bumper	2	44-106-00	Polyurethane
9	Cap Screw	16	60-022-00	Stainless Steel
12 +	Seal	2	46-058-00	Molythane
14 +	Seal	2	44-372-00	Molythane
15 +	Gasket, Air Valve / Chamber	2	44-453-00	Lexide
16	Shaft, Pump	1	46-469-00	Steel – Nitrided
23	Manifold, Discharge	1	46-122-10	Stainless Steel
24	Manifold, Suction	1	46-121-10	Stainless Steel
28	Seat, Ball Valve	4	44-105-**	Customer Preference
29	Ball Valve	4	44-102-**	Customer Preference
32	Hex, Nut	24	60-061-00	Stainless Steel
34	Housing, Spool	1	47-339-04	Aluminum
35	Cap Screw, Socket Head	8	51-640-00	Stainless Steel
36	Cap, Spool, Air Valve	2	46-217-40	Aluminum
37 +	Gasket, Cap	2	46-218-00	Polyurethane
38 +	Piston Ring w/ Expander	2	44-366-00	Phenolic / Stainless Steel
39 +	Spool, Air Valve	1	47-180-00	Phenolic
43 +	Sleeve, Bushing	2	44-120-00	Bronze
44 +	Muffler	1	44-127-66	Polypropylene
52	Cap Screw	24	60-031-00	Stainless Steel
53	Lock washer	16	60-053-00	Stainless Steel
55	Flat Washer	16	51-664-SS	Stainless Steel
86	Chamber, Air	2	47-237-04	Aluminum
88 +	Pilot Spool, Air Valve	1	47-587-00	Phenolic / Stainless Steel
89 +	Elbow	1	44-128-00	Polypropylene
96	Flat Washer	48	49-015-00	Stainless Steel
99	Cap screw, Flat Socket Head	10	60-034-00	Alloy – Zinc Plated
102	Terminal Ring	1	60-070-00	Tin
103	Terminal Ring	1	60-071-00	Tin
104	Corrective Disk	2	44-069-10	Stainless Steel

Air Valve Rebuild Kit

-Includes All Parts with + 1 47-665-00

Elastomer Kit 1 44-809-**

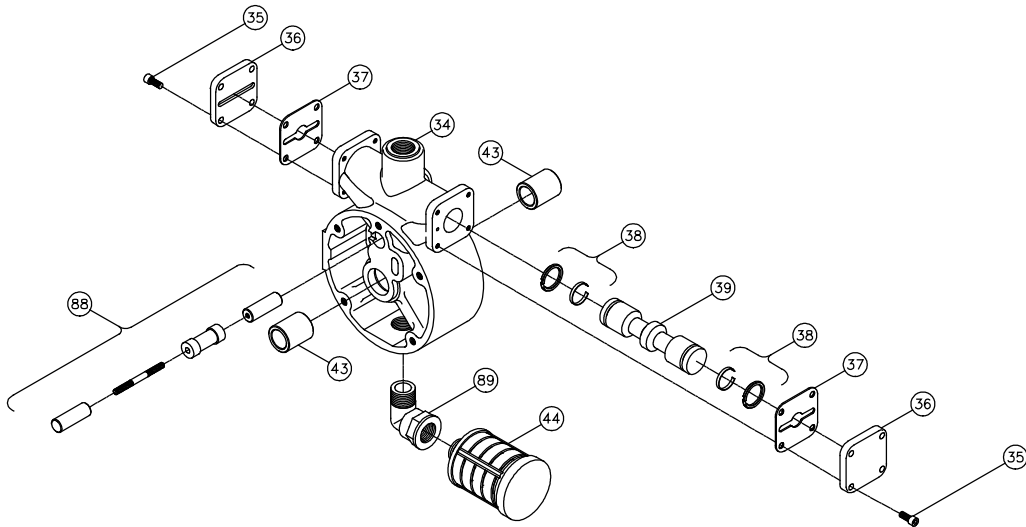
** Elastomers: 00 – Neoprene
 10 – Buna-N
 20 – Viton
 30 – Nordel
 60 – Santoprene

Price® Pump Co.

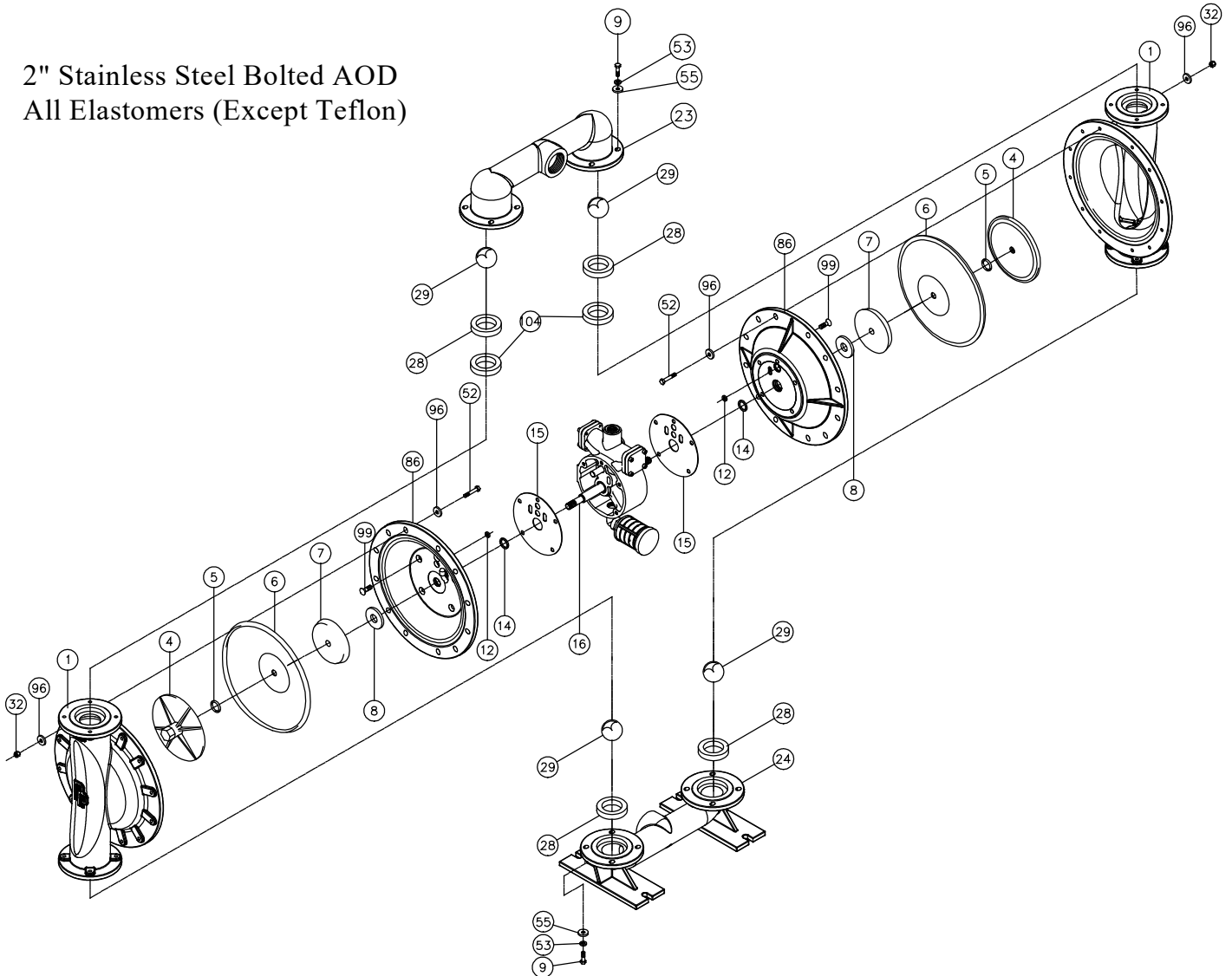
2203 Smeed Parkway, Caldwell ID 83605 * 1-800-345-7867 * Fax 1-208-402-6856



PRICE PUMP CO.



2" Stainless Steel Bolted AOD
All Elastomers (Except Teflon)



Price Pump Co.

2203 Smeed Parkway * Caldwell ID 83605 * 1-800-345-7867 * Fax 1-208-402-6856