

**PRICE® PUMP CO.**2MS75SS Mag Drive Parts List

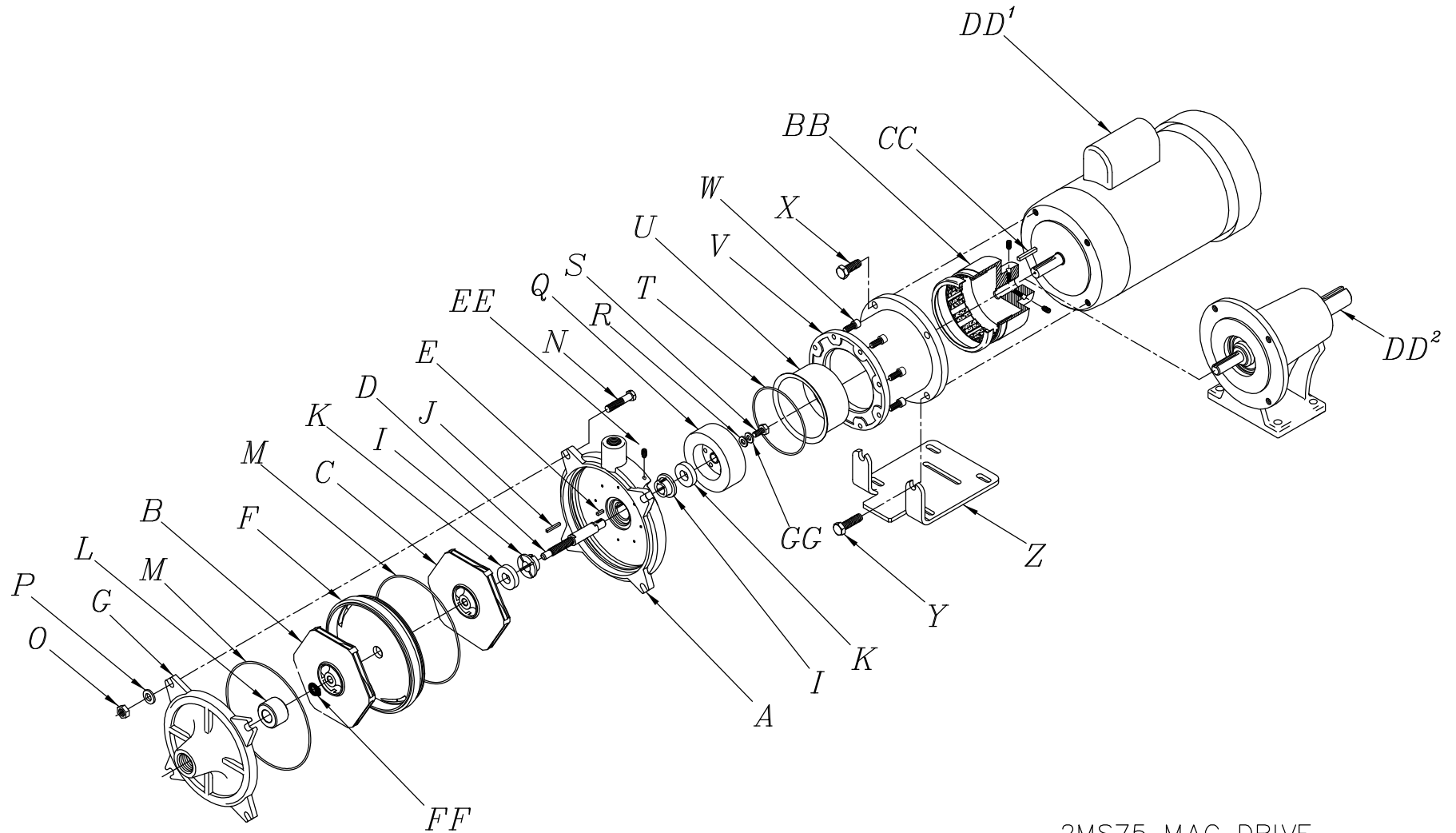
<b>Key #</b>	<b>Description</b>	<b>Quantity</b>	<b>2MS75SS:</b>
A.	Volute	1	3619
B.	Impeller, Front	1	3624-dia
C.	Impeller, Rear	1	3625-dia
D.	Shaft 316SS (std.)	1	
	For carbon/ceramic bushings		3628
	Shaft Tungsten Coated (opt.)		
	For silicon carbide bushings		3628-30
E.	Shaft Key	1	2424
F.	Diffuser/Separator Plate Assembly	1	3618
G.	Suction Plate	1	3620
I.	Thrust Bushing	2	
	Carbon (std.)		3699
	Silicon Carbide (opt.)		3630
J.	Bushing Key	1	2467
K.	Thrust Washer	2	
	Ceramic (std.)		3700
	Silicon Carbide (opt.)		3629
L.	Hub Bushing	1	
	Carbon (std.)		3705
	Silicon Carbide (opt.)		3631
M.	Viton O-ring	2	3659
N.	Volute Bolt	4	60-031-00
O.	Nut, Nylock	4	60-061-SS
P.	Washer	4	3081
Q.	Driven Magnet	1	3627
R.	Lockdown Washer	1	2423
S.	Lockdown Bolt	1	0575
T.	O-ring, Magnet Cup	1	2465
U.	Magnet Cup	1	2454
V.	Drive Housing	1	3626
W.	Housing Bolts (8 ea.)	1	2466
X.	Top Motor Bolts (2 ea.)	1	0579
Y.	Bottom Motor Bolts (2ea.)	1	3083
Z.	Base Plate	1	8017
BB.	Drive Magnet	1	
	5/8" Shaft Bore		2471
	7/8" Shaft Bore		2471-1
CC.	Motor Shaft Key	1	2472
DD <sup>1</sup> .	Electric Motor	1	Specify P/N
DD <sup>2</sup> .	Power Frame	1	5478
EE.	Pipe Plug	1	0559
FF.	Snap Ring	1	0428
GG.	Lock Washer	1	2344

Price® Pump Co.

2203 Smeed PKWY \*Caldwell, ID 83605 \* (208) 402-6871 \* Fax (208) 402-6856



PRICE PUMP CO.



2MS75 MAG DRIVE

Price® Pump Co.

2203 Smeed PKWY \* Caldwell, ID 83605 \* (208) 402-6871 \* Fax (208) 402-6856