



Price® Pump Co.

INSTALLATION, OPERATING AND MAINTENANCE MANUAL

AIR OPERATED DIAPHRAGM PUMPS
METALLIC, ALL ELASTOMERS

MODEL: 1.5 AOD-150M



Price® Pump Company
21775 8th. Street East
Sonoma, CA 95476
Tel: 707-938-8441
Fax 707-938-0764
Email: sales@pricepump.com

PLEASE FILL IN FROM PUMP NAMEPLATE

Pump Model _____

Spec. No. _____

Serial No. _____

RETAIN MANUAL FOR REFERENCE

Congratulations

You are now the owner of a Price® Pump Co. Air Operated Diaphragm Pump. This pump was carefully inspected and subjected to final performance tests before releasing for shipment. In order to achieve maximum performance and reliability, please follow the simple instructions in this manual.

RECOMMENDED PRECAUTIONS

1. For satisfactory operation and safety, maximum inlet air pressure must not exceed 125 psi (8.79kg/sq cm).
2. No modifications, additions or deletions should be made to the pump without prior approval of the factory.
3. Drain casing completely and flush with water before servicing a pump handling volatile or harmful liquids.

READ CAREFULLY THE CAUTION BELOW

The performance of your Price® Co. Air Operated Diaphragm Pump is based on clean, room temperature, water with suction conditions as shown on the performance curves. If used to pump other liquids, pump performance may differ from rated performance based on the different specific gravity, temperature, viscosity, etc. of the liquid being pumped. A standard pump, however, may not be safe for pumping all types of liquids, such as toxic, volatile or chemical liquids, or liquids under extreme temperatures or pressures.

Please consult Price® Pump catalogs as well as local codes and general references to determine the appropriate pump for your particular application. Since it is impossible for us to anticipate every application of a Price® pump, if you plan to use the pump for a non-water application, contact Price® Pump beforehand to determine whether such application may be proper and safe under the circumstances. Failure to do so could result in property damage or personal harm.

Visit our website for product information and technical support

www.pricepump.com

OPERATING INSTRUCTIONS

AIR OPERATED DIAPHRAGM PUMPS

150M, ALL ELASTOMERS

INSTALLATION

Bolt pump to a mounting pad using appropriately sized diameter bolts. Rubber vibration insulators should be used between the pump mounting feet and mounting pad to reduce pump vibrations and stresses. In permanent installations the pump should not be directly attached to rigid piping, but instead should be connected through flexible hoses or equivalent on both the suction and discharge. This should be done to reduce pipe stresses and vibrations which are characteristic of the reciprocating nature of the pump. A surge suppressor may be required on the discharge line of the pump if further reduction in vibration or a reduction of pulsation in the discharge flow is desired.

If the pump is used in a submerged application a line or hose should be attached to the pump air exhaust to prevent liquid from entering the air valve when the pump is shutdown or operating at low discharge heads.

CARE MUST BE EXERCISED WHEN SUBMERGING THE PUMP IN CORROSIVE PUMPING MEDIA.

Suction and discharge pipe size should be at least equal to the inlet pipe diameter or larger. Larger, if highly viscous liquid is to be pumped or long lengths of pipe are used. When using suction hoses use the non-collapsing reinforced type, since this pump is capable of producing high vacuum at the suction inlet.

SOLIDS-HANDLING CAPABILITY

Price® Pump Air Operated Diaphragm Pumps will pass the following spherical solid sizes:

Model	Particulate Size
0.5 AOD	1/8" Dia. (3.2m m)
1.0 AOD	1/8" Dia. (3.2m m)
1.5 AOD	3/16" Dia. (4.7m m)
2.0 AOD	3/8" Dia. (9.5m m)
3.0 AOD	7/16" Dia. (11m m)

If the possibility exists that larger sized solids may be suspended or carried along by the pumping media, install a strainer on the suction line with smaller sized

holes than the allowable solid size. This will prevent the larger solids from entering the pump and interfering with operation of the pump ball valves.

AIR SUPPLY

The inlet to the air valve is a female NPT fitting. The air supply line should be sized accordingly so that there is no restriction less than inlet pipe size.

NOTE: Long air lines require larger diameters to minimize air system pressure loss to insure the required air pressure and flow rate at the pump air inlet. It is safe to use up to **125 psig (8.79 kg/sq cm)** for pumping requirements.

WARNING: DO NOT EXCEED 125 PSIG (8.79 KG/SQ CM) AIR SUPPLY PRESSURE AS COMPONENT DAMAGE OR PERSONAL INJURY MAY RESULT.

PUMP CONTROL

The pump operating conditions, flow (GPM) and discharge head (PSIG) can be controlled in the following manner

1. Throttling the pump discharge by means of a valve on the discharge line. When the pump discharge pressure equals the air supply pressure, the pump will stop. This will not harm the pump; however, do not exceed **125 psig (8.79 kg/sq cm)** air supply pressure. The pump may be in this mode indefinitely. By opening the discharge valve the pump will resume pumping.

2. The air pressure supply can be limited to the pump. Price® Pump recommends the installation of a Price® Pump air filter/pressure regulator for all AOD applications. A globe or gate valve can be used before the regulator for on or off control. Failure to use an air pressure regulator will cause the pump air inlet pressure and thus discharge pressure to climb to maximum air system pressure when the pump is stopped.

MINIMUM AIR SUPPLY PRESSURE

This air valve incorporates a stall-free design and will begin operating with air inlet pressures as low as **5 psig (.35 kg/sq cm)**.

OPERATING INSTRUCTIONS

OPERATING INSTRUCTIONS

The pump air valve is of an oilless design; that is, no lubrication is required or recommended. A clean, dry air supply should be provided for optimum air valve operation and life. In cold weather operation, or under conditions of high pump discharge pressure and relatively high humidity, air valve freezing may occur as a result of moisture in the compressed air being released. If this occurs, anti-freeze, of the ethylene glycol type, may be used in a measuring dispenser, such as an air line lubricator at the pump air inlet. The resulting mist will keep the air valve free of ice build-up.

1. In cases where there are several air-operated diaphragm pumps being used simultaneously and freezing of the air valve occurs frequently due to excessive moisture in the compressed air system, it may be advantageous to install a desiccant type compressed air dryer in the air system to purge the air supply of unwanted moisture.

For permanent installations, an air filter and water/oil separator should be used. This is always good practice, since it insures maximum life of the air valve moving parts and seals by keeping them clean of dirt and oil residue.

Excessive oil and water in the inlet air supply will cause a varnish-like substance to form on the self-lubricated valve spool. This will eventually lead to valve spool "sticking" and result in erratic spool operation. Should this occur, the spool and housing bore may be cleaned with a commercial safety solvent.

2. When starting the pump, make sure all valving on the suction and discharge lines are open. The pump will not prime with the valving closed. Pump cavitation will occur if the suction line is restricted with foreign matter. Use a suction strainer with hole size less than allowable solid size for model in question.

3. When pumping highly viscous materials, it is advisable to check the pump flow rate vs. the pump stroke rate.

PUMP MODEL	AVG. GALS. PER STROKE*	
	Std. Elastomers	Teflon Elastomers
.5 AOD-Non Metallic	.016 (.06L)	.014 (.05L)
1.0 AOD	.18 (.68L)	.15 (.58L)
1.5 AOD	.35 (1.3L)	.20 (.75L)
2.0 AOD	.85 (3.2L)	.80 (3.0L)
3.0 AOD	.8.7 (3.3L)	.82 (3.1L)

*Actual test data with flooded suction and specific gravity of 1.0.

One pump stroke is equal to one exhaust discharge. The pump should not pump faster than the material is capable of being drawn into the pump inlet. If this occurs, cavitation will occur and could damage to the pump.

4. To determine maximum pumping speed, increase air supply pressure while observing pump discharge increase. When discharge flow no longer increases, throttle back air until pump discharge flow starts to fall off. This point is the optimum pumping speed achievable under those controlled by either one of the two methods previously mentioned under the PUMP CONTROL section of this manual.

5. The pump air exhaust port should be kept free from blockage. The pump should never be operated submerged without installing a line to the exhaust port and directing the same above the liquid surface. An appropriately sized hose with a male NPT connector may be piped up to the exhaust port and directed away. The exhaust line, if required, should be kept as short as possible or pump performance could be affected. If long lengths of exhaust line are necessary, increase the internal diameter of the exhaust line to minimize pressure drop and pump performance loss. If the exhaust sound level becomes too objectionable, use the air muffler provided.

NOTE: Installing an air exhaust muffler on a submerged pump will not prevent the liquid in which the pump is submerged, from entering the air valve.

CAUTION: If a diaphragm failure occurs, the pumping media may be blown out the exhaust port. This could be hazardous if the pumping media is toxic or aggressive. It is advisable to add a line to the exhaust port and direct it safely away when pumping toxic or aggressive media.

6. Drain pump and flush after use when pumping material which can pack, settle out of liquid suspension, or solidify in time. A packed pump can cause damage to the diaphragm clamping plates and pump shaft when started after a period of interrupted use. The pump may be inverted and drained through the discharge port and flushed through the suction port.

OPERATING TEMPERATURE

The pump should not be used to pump liquids above **248°F (120°C)**. **Verify elastomer & case material temperature limits before installation.** For operating temperatures above **248°F (120°C)** consult factory.

TROUBLESHOOTING

TROUBLESHOOTING

1. Pump will run but will not pump.

- a. Check suction line for leaks.
- b. Tighten bolts or clamps on suction manifold of pumps.
- c. Material too viscous to pump at high rate of flow - slow down pump by reducing air supply pressure to pump or use larger diameter suction line.
- d. Suction manifold & pump chambers misaligned - disassemble & realign.
- e. Suction or discharge balls jammed open with foreign object - disassemble pump and remove foreign object .

NOTE: Optimum priming speed for these pump s is obtained when air inlet pressure is maintained between 15-20 psi, (1.0-1.4 kg/cm²) with open pump discharge.

2. Air bubbles in pump discharge line

- a. Check suction line and manifold bolts or clamps for leaks .
- b. Cracked or ruptured diaphragm .

3. Intermittent pump operation and/or ice blowing from exhaust port .

- a. Remove obstruction from suction line .
- b. Valve freeze-up - install de-icing device on air inlet line or suitable air dryer in compressed air line.
- c. Sticky air valve - remove main spool & cle an with safety solvent.

4. Pump stops pumping.

- a. Increase air supply pressure but **DO NOT exceed 125 psig (8.79 kg/cm²)** under any circumstances and check for obstruction in suction or discharge line.
- b. Spool sticking - remove main spool & clean with safety solvent - install suitable filter on air inlet if dirt or contaminants persist.
- c. Air valve ice-up - excess moisture on the muffler is an indication that significant water is present in the air supply. Depending on the degree of severity, an in line water separator or air dryer is recommended.

5. Severe pump vibration with intermittent flow.

- a. Ruptured diaphragm - disassemble pump, replace diaphragm and clean air valve if necessary.
- b. Mechanical failure - disassemble pump and inspect for bent shaft, ruptured diaphragm, other part failure .

6. Pumping media leaking from exhaust port.

- a. Ruptured diaphragm - disassemble pump, replace diaphragm - clean air valve if necessary.

7. Varying pump discharge per stroke.

- a. Remove suction manifold and check for obstructions.
- b. Worn or leaky ball valves & seats - disassemble pump and replace worn parts.
- c. Check to verify bolts are fastened tightly and re - torque if necessary.

8. Slowing of pumping action

- a. Clogged air exhaust muffler – clean or replace
- b. Ice buildup in air valve - install de-icing device on air inlet line .

REPAIR AND MAINTENANCE

DISASSEMBLY INSTRUCTIONS – Al, SS, CI and All ELASTOMERS

1. (Aluminum and Stainless Steel)

Pump should be disassembled in the normal upright position. Remove small clamps from the discharge (top) manifold by removing carriage bolts and hex nuts.

Remove manifold, ball valves, ball seats, and o-ring (Teflon only). Check for excessively worn seats & replace if necessary. Check ball valves for gouges and deep scratches or heavily worn or abraded areas and replace. Heavily worn balls and seats will affect pump performance.

1. (Cast Iron)

Pump should be disassembled in the normal upright position. Remove cap screws, flat washers and hex nuts from discharge (top) manifold. Remove manifold, ball valves, ball seats, and o-ring (Teflon only). Check for excessively worn seats & replace if necessary. Check ball valves for gouges and deep scratches or heavily worn or abraded areas and replace. Heavily worn balls and seats will affect pump performance.

2. (Aluminum and Stainless Steel)

Remove small clamp halves from suction (lower) manifold. Remove remaining pump assembly from suction manifold & place on table. Perform same inspections on balls, seats and o-rings (Teflon only) as in step #1 above. Heavily worn balls and seats will affect pump performance.

2. (Cast Iron)

Remove cap screws, flat washers and hex nuts from suction (lower) manifold. Remove remaining pump chamber assembly from suction manifold & place on table. Perform same inspections on balls, seats and o-rings as in step #1 above. Heavily worn balls, seats and o-rings (Teflon only) will affect pump performance.

3. Remove clamps from the pump chamber/air chamber connection by removing bolts and hex nuts. As you remove clamps, place an index mark across the pump chamber flange, air chamber flange with a felt pen marker. This will aid in finding the right alignment

during reassembly. Remove pump chamber by lightly tapping pump chamber with a fiber or wooden mallet until it is free of the diaphragm.

CAUTION: Do not use a metal headed hammer on the pump chambers.

4. (Aluminum)

Place locknut on end of pump shaft in a table vise and loosen opposing locknut with wrench. Remove locknut, outer diaphragm plate, diaphragm, backup diaphragm (Teflon only), inner diaphragm plate and rubber bumper from pump shaft. Check diaphragm & rubber bumper for wear and replace if necessary.

4. (Stainless Steel and Cast Iron)

Place hex head of outer diaphragm plate on end of pump shaft in a table vise and loosen opposing diaphragm plate with wrench. Remove outer diaphragm plate, diaphragm, backup diaphragm (Teflon only), diaphragm, inner diaphragm plate and rubber bumper from pump shaft. Check diaphragm and rubber bumper for wear and replace if necessary.

5. Remove shaft and remaining diaphragm(s) from pump by sliding through pump shaft bore. Put free end of shaft in vise between two blocks of wood or soft metal jaws and remove locknut or diaphragm plate and remaining parts.

6. Refer to air valve disassembly instructions in this manual.

REPAIR AND MAINTENANCE

REASSEMBLY INSTRUCTIONS FOR

ALUMINUM, STAINLESS STEEL, ALL ELASTOMERS

1. (Aluminum)

Place pump shaft in vise with soft metal jaws or wooden blocks between the vise jaws and shaft. Assemble new rubber bumper and inner diaphragm clamping plate, new diaphragm and outer diaphragm clamping plate with the diaphragm concave side facing upward. Assemble locknut to shaft. Tighten locknut but do not torque down until step #5 during reassembly.

1. (Stainless Steel)

Place pump shaft in vise with soft metal jaws or wooden blocks between the vise jaws and shaft. Assemble new diaphragm, backup diaphragm, inner diaphragm clamping plate & outer diaphragm clamping plate and new rubber bumper with the diaphragm concave side facing upward. Tighten clamp plate but do not torque down until step #3 during reassembly. Apply Loctite #242 (or equivalent) to the internal threads of the outer clamp plate and assemble to shaft.

2. Insert shaft assembly through bore in air chamber/ air valve assembly. Check for free movement of shaft. Shaft should not bind. Bottom out diaphragm in air chamber. Invert assembly and place remaining diaphragm, backup diaphragm (Teflon only), clamping plates, and new rubber bumper, as in step #1 above.

3. Torque Lock nuts / outer clamp plate to **35 ft. lbs. (47n-m) for 1.5" and 80 ft. lbs. (108n-m) for 2" and 3" models.**

4. To assemble pump chambers to air chambers, start with either diaphragm which is

fully recessed in air chamber. Place pump chamber previously marked with an index mark (felt pen) to match index marks on air chamber. If replacing a pump chamber, do this roughly by eye. Assemble clamp halves and hardware bolt and hex nuts to pump chamber flange and tighten slightly. Assemble second pump chamber to opposing air chamber by first depressing diaphragm until it sits securely in groove case in air chamber casing. Rotate pump chamber until index marks align. Add clamp halves & hardware and tighten slightly. At this point an alignment check should be made. Place a straight edge on each pump chamber flange - they should be parallel. Place pump upright on flat surface - the suction flanges of pump chambers should lie flat.

NOTE: The pump may leak at the manifolds if these surfaces are not parallel.

5. Tighten clamps by tapping clamps with a soft faced or wooden mallet while tightening the clamp cap screws. Torque cap screws to approximately **150-200 inch lbs. (17-23 n-m).** Do not over tighten. Check alignment once again. If not aligned, loosen clamps and realign.

6. Place valve seats and o-rings in counter bored holes in suction manifold.

7. Place a ball valve in valve seats & place assembled pump onto suction manifold. Use clamp halves and hardware. To assemble pump body to manifold, gently tap clamps while assembling to insure a good seal. Make sure manifold flanges & pump chamber flanges are centered. Tighten clamps to **20 inch lbs. (2 n-m).**

8. Repeat similar procedure for discharge manifold and associated balls, seats, clamps, etc. to complete assembly.

REPAIR AND MAINTENANCE

RESASSEMBLY INSTRUCTIONS

AOD –XXXX (Clamped Design)

CAST IRON, ALL ELASTOMERS

1. Place pump shaft in vise with soft metal jaws or wooden blocks between the vise jaws and shaft. Assemble new diaphragm and backup diaphragm (Teflon only) with diaphragm to the pump shaft using the inner diaphragm clamping plate, outer diaphragm clamping plate, and new rubber bumper. The diaphragm concave side must face upward. Apply Loctite #242 (or equivalent) to the internal threads of the outer clamp plate and assemble to shaft.

2. Insert shaft assembly through bore in air chamber / air valve assembly. Check for free movement of shaft. Shaft should not bind. Bottom out diaphragm in air chamber. Invert assembly and place remaining diaphragm and backup diaphragm (Teflon only), diaphragm, clamping plates, and new rubber bumper as in step #1 above.

3. Place hex head of one diaphragm clamping plate in table vise. Place wrench on hex head of opposing diaphragm plate at opposite end of pump shaft. Torque to **35 ft. lbs. (47n-m) for 1.5" and 80 ft. lbs. (108n-m) for 2" and 3" models.**

4. To assemble pump chambers to air chambers, start with either diaphragm which is fully recessed in air chamber. Install new Gortex tape on both pump chambers. Place pump chamber previously marked with an index mark (felt pen) to match index marks on air chamber. If replacing a pump chamber, align roughly by eye. Assemble clamp halves with hardware bolts and hex nuts to pump chamber flange and tighten slightly. Assemble second pump chamber to opposing air chamber by first depressing diaphragm until it sits securely in groove cast in air chamber casing. Rotate pump chamber until index marks align. Add clamp halves & hardware and tighten slightly. At this point an alignment check should be made. Place a straight edge on each pump chamber flange - they should be parallel. Place pump upright on that flat surface - the suction flange of pump chamber should lie flat.

NOTE: The pump may leak at the manifolds if these surfaces are not parallel.

5. Tighten clamps by tapping clamps with a soft faced or wooden mallet while tightening the clamp cap screws. Torque cap screws to approximately **150-200 inch lbs. (17-23 n-m)**. Do not over tighten. Check alignment once again. If not aligned, loosen clamps and realign.

6. Place a suction ball valve and valve seat into the bottom of each pump chamber. Be sure the raised o-ring contour on the valve seat is facing downward toward the suction manifold. Align the pump with the suction manifold and secure with cap screws, washers and hex nuts. The discharge manifold should have two ball valves and two valve seats (28) placed into it. The raised o-ring contour should be visible when the seat is placed in the manifold. Using cap screw, washer and hex nut, secure the discharge manifold to the pump. Torque cap screws to approximately **25 ft. lbs. (34n-m)**. Do not over tighten. Reassembly is complete.

REPAIR AND MAINTENANCE

AOD AIR VALVE DISASSEMBLY INSTRUCTIONS

POLYPROPYLENE, PVDF & AOD-XXXX CLAMPED & BOLTED, ALL ELASTOMERS

REMOVAL OF AIR CHAMBERS

1. Remove the five hex nuts, lock washers, special flat washers and flat head socket screws which retain one of the air chambers to the air valve housing. Repeat this step for the opposite air chamber.
2. Loosen the connection between the long flathead screw and short flat head screw at coupling nut by turning both and counter clockwise using two Allen wrenches. Loosen lock-nut from coupling nut, and remove both from long flat head screw.
3. Set aside gaskets and, if used, air chamber clamping rings. Plastic pumps are bolted while metallic pumps can either use clamping rings or be bolted. Remove seals from both air chambers. Replace these items during reassembly.

AIR VALVE BODY DISASSEMBLY INSTRUCTIONS

1. Remove spool housing end caps, gaskets and cap screws from spool housing.
2. Remove main spool and examine spool, piston rings and ring expanders for wear. Replace piston ring set & spool if deeply scratched, chipped or worn. New spools will be interchangeable with old. If main spool bore in spool housing has become corroded, excessively pitted, or deeply scratched replace spool housing.
3. Remove muffler from air valve housing and check inside for dirt and debris. If muffler is clogged it will affect pump performance. Replace if necessary.
4. Remove spool housing and gasket by removing the four socket head cap screws and lock washers. Check gasket for any degradation and replace if required.
5. Inspect 'OilLte' bronze sleeve bushings in valve housing. Replace as necessary.
6. Remove the pilot spool from the air valve by pulling out at one end. Remove the piston ring assemblies from

each end of the pilot spool. Examine for wear and replace as necessary.

7. The air valve assembly is now completely disassembled.

AIR VALVE BODY REASSEMBLY INSTRUCTIONS

CAUTION: Care must be taken at this stage of reassembly to ensure cleanliness. A dirty valve will stick and will not work properly. Keep area free of dirt, oil, and metal chips.

1. Clean all metal parts with good grade safety solvent prior to reassembly.
2. Press shaft bushings into air valve housing, making sure they are properly aligned with the bore in the valve housing. Press bushings in to a height of **0.165"** above the flush position.
3. Install new piston ring assemblies on pilot spool. Push pilot spool with piston rings into bore of air valve. Take care to position splits in piston rings to 3 o'clock or 9 o'clock position in bore.
4. Inspect spool for scratches, scoring, chips, and wear. If severe grooving or marking is evident, replace spool. To ensure maximum performance the spool should not be excessively worn, although the pump will still run satisfactorily.
5. Insert piston ring seals and expander rings prior to reassembly. Replace with new if required.

NOTE: Upon reassembly of piston ring seals and expander rings the opening in the expander ring and the split in the piston ring should be assembled 180° apart. Also, upon reassembling the spool to the spool housing bore, rotate piston ring seals in their grooves until the split in the seal is at the valve housing 3 or 9 o'clock position. This prevents the split from covering valve housing ports during reassembly. This also eliminates the tendency to hang up on a port. Do not install main spool in a centered position or pump may not start.

6. Install spool housing cap gaskets with existing end caps and 1/4" - 20 Allen head screws at both ends of spool housing.

REPAIR AND MAINTENANCE

7. Position new gasket and spool housing assembly onto valve housing and secure with four Allen head screws, and lock washers. Torque screws to **7 ft-lbs. (9.5 n-m)**.

8. Check muffler to make sure that it is clean and free of debris. If it cannot be cleaned, replace with new. Install muffler in air valve housing. Do not over-tighten. One quarter turn past hand tight should be sufficient.

AIR CHAMBER REASSEMBLY TO AIR VALVE BODY

1. Install new seals in both air chambers. Important! The lips of seal must face away from the air valve housing and the lips of seal must face inward towards the center of the air valve housing.

2. Align gasket with air valve housing and attach air chamber using five flathead screws, special flat washers, lock washers and hex nuts.

NOTE: For any model which uses air chamber clamp rings make certain to place the clamp rings in position before attaching air chambers to the air valve body. The beveled edge of the clamp ring should face towards the air chamber.

3. Thread long flat head screw through the appropriate hole in the opposite air chamber and gasket, which lines up with the hole left blank in step 2 when this air chamber was installed. Thread locknut and coupling nut onto long flathead screw. Lock coupling nut in place with locknut.

4. Install second air chamber with gasket and long flathead screw with locknut and coupling nut onto air valve. Attach air chamber to air valve using five flathead screws (9), special flat washers, lock washers and hex nuts.

5. Install short, flat head screw in blank hole in first air chamber, then engage coupling nut. Tighten flat head screws and using two Allen wrenches. Torque all air chamber to air valve hardware to **7 ft-lbs. (9.5 n-m)**.

6. The air valve assembly is now completely refurbished and ready for further pump assembly.

THIS PAGE INTENTIONALLY LEFT BLANK



1 1/2" AOD Aluminum Parts List

(All Elastomers Except Teflon)

PRICE PUMP CO.

AOD1.5ALplist.doc rev. D

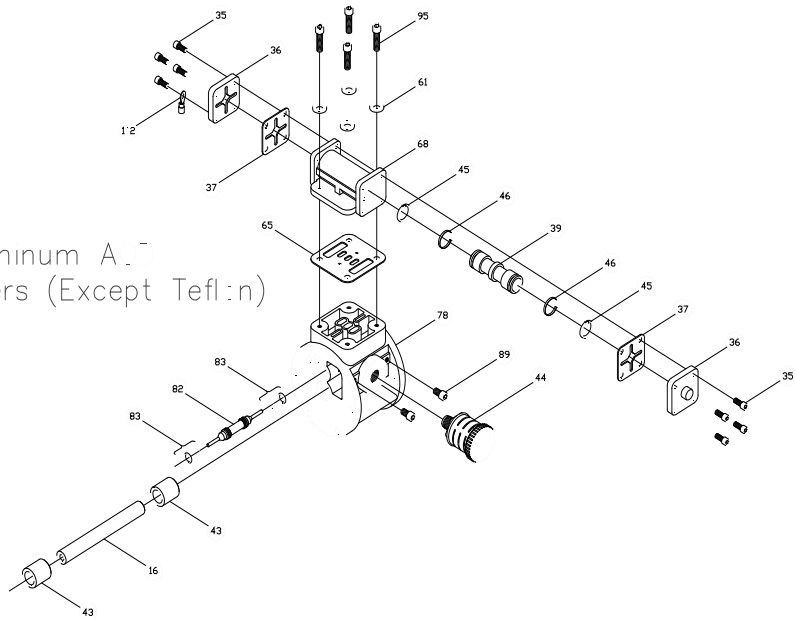
Key #	Description	Quantity	Part #	Material
1	Chamber, Pump	2	44-138-04	Aluminum
2	Lock Nut	2	51-660-00	Steel – Zinc Plated
4	Plate, Diaphragm (Outer)	2	44-148-04	Aluminum
6	Diaphragm	2	44-150-**	Customers Preference
7	Plate, Diaphragm (Inner)	2	46-852-00	Steel – Plated
8	Bumper	2	44-151-00	Polyurethane
9	Cap Screw	10	51-750-00	Stainless Steel
12 +	Seal	2	44-431-00	Molythane
14 +	Seal	2	44-432-00	Molythane
15 +	Gasket, Air Valve / Chamber	2	46-564-00	Polyurethane
16	Shaft, Pump	1	44-152-00	Steel - Nitrided
17	“D” Flat Washer	10	47-370-00	Stainless Steel
19	Bolt, Hex	4	51-679-00	Stainless Steel
20	Hex Nut	4	60-061-SS	Stainless Steel
22	Clamp, Half	4	44-147-00	Steel – Zinc Plated
23	Manifold, Discharge	1	44-142-14	Aluminum
24	Manifold, Suction	1	44-143-04	Aluminum
25	Carriage Bolt	8	60-032-00	Stainless Steel
26	Hex Nut	8	60-059-00	Steel – Zinc Plated
27	Clamp, Half	8	44-946-00	Stainless Steel
28	Seat, ball Valve	4	44-145-**	Customer Preference
29	Ball, Valve	4	44-144-**	Customer Preference
35	Cap Screw, Socket Head	8	51-640-00	Steel – Zinc Plated
36	Cap, Spool, Air Valve	2	45-743-40	Aluminum
37 +	Gasket, Cap	2	45-728-00	Polyurethane
39 +	Spool, Air Valve	1	47-196-00	Phenolic
43 +	Sleeve, Bushing	2	44-186-00	Bronze
44 +	Muffler	1	44-284-66	Polypropylene
45 +	Piston Ring, Air Valve	2	44-427-00	Phenolic
46 +	Ring, Expander, Air Valve	2	44-537-00	Stainless Steel
61	Lock Washer	14	60-053-00	Stainless Steel
62	Hex Nut	11	51-743-00	Stainless – Zinc Plated
65 +	Gasket, Air Valve / Spool	1	47-348-00	Fiber
66	Flat SOC Cap	1	51-751-00	Oxide Coated Steel
67	O-ring	12	47-351-00	Buna
68	Housing, Spool	1	46-496-10	Aluminum, Anodized
78	Housing, Air Valve	1	46-495-10	Cyglass
82 +	Pilot Spool	1	47-341-00	Stainless Steel
83 +	Spool Ring Assembly, Air Valve	2	47-463-00	Buna / Phenolic
85	Coupling Nut, Hex	1	46-533-00	Steel – Zinc Plated
86	Chamber, Air	2	47-342-04	Aluminum
89	Cap Screw, Socket Head	2	60-037-00	Stainless Steel
91	Cap Screw	1	60-036-00	Stainless Steel
95	Cap Screw, Socket Head	4	51-749-00	Stainless Steel
96	Washer	8	52-128-43	Stainless Steel
97	Washer	8	60-051-00	Stainless Steel
102	Terminal Ring	1	60-070-00	Tin
103	Terminal Ring	1	60-071-00	Tin
	Air Valve Rebuild Kit			
	-Includes all parts with +	1	47-664-00	
	Elastomer Kit	1	44-808-**	

** Elastomers: 00 – Neoprene 20 – Viton 60 – Santoprene
 10 – Buna-N 30 – Nordel

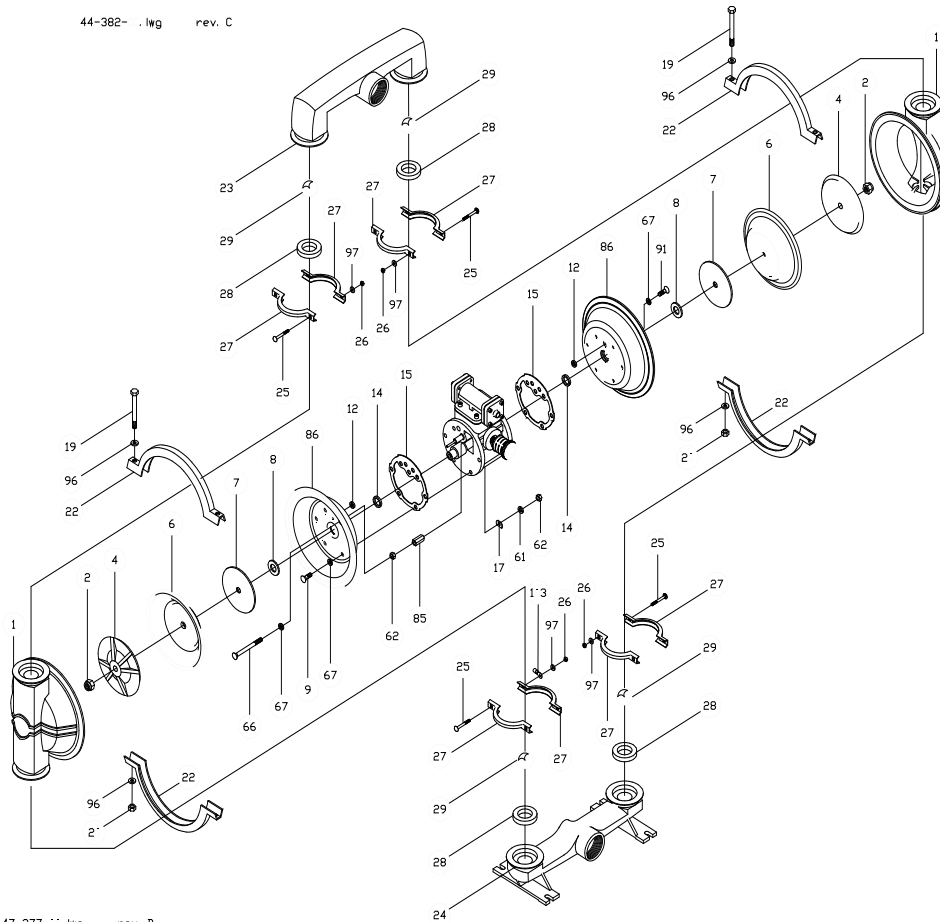


PRICE PUMP CO.

1-1/2" Aluminum AOD
All Elastomers (Except Teflon)



44-382-.dwg rev. C



47-377-.dwg rev. D

Price Pump Co.

2203 Smeed Pkwy * Cadwell, ID 83605 * (208) 406-6871 * Fax (208) 402-6856



1 1/2" AOD Aluminum Parts List

(Teflon Elastomers)

PRICE PUMP CO.

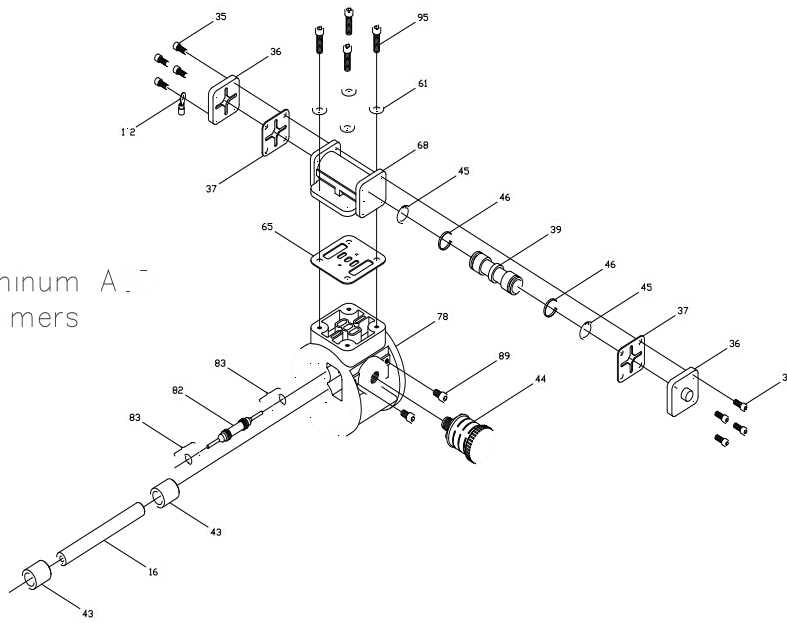
AOD1.5AL-Tplist.doc rev. G

Key #	Description	Quantity	Part #	Material
1	Chamber, Pump	2	44-138-14	Aluminum
2	Lock Nut	2	51-660-00	Steel - Zinc Plated
4	Plate, Diaphragm (Outer)	2	44-148-04	Aluminum
6	Diaphragm	2	44-150-50	Teflon
7	Plate, Diaphragm (Inner)	2	46-852-00	Steel - Plated
8	Bumper	2	44-151-00	Polyurethane
9	Cap Screw	10	51-750-00	Stainless Steel
12 +	Seal	2	44-431-00	Molythane
14 +	Seal	2	44-432-00	Molythane
15 +	Gasket, Air Valve / Chamber	2	46-564-00	Rubber
16	Shaft, Pump	1	46-478-00	Steel - Nitrided
17	"D" Flat Washer	10	47-370-00	Stainless Steel
19	Bolt, Hex	4	51-679-00	Stainless Steel
20	Hex Nut L/N	4	60-061-SS	Stainless Steel
22	Clamp, Half	4	44-147-00	Steel - Zinc Plated
23	Manifold, Discharge	1	44-142-14	Aluminum
24	Manifold, Suction	1	44-143-14	Aluminum
25	Carriage Bolt	8	60-032-00	Stainless Steel
26	Hex Nut	8	60-059-00	Steel - Zinc Plated
27	Clamp, Half	8	44-946-00	Stainless Steel
28	Seat, ball Valve	4	46-169-00	Aluminum
29	Ball, Valve	4	44-144-50	Teflon
35	Cap Screw, Socket Head	8	51-640-00	Steel - Zinc Plated
36	Cap, Spool, Air Valve	2	45-743-40	Aluminum
37 +	Gasket, Cap	2	45-728-00	Polyurethane 85 +/- - Duro
39 +	Spool, Air Valve	1	47-196-00	Phenolic
43 +	Sleeve, Bushing	2	44-186-00	Bronze
44 +	Muffler	1	44-284-66	Polypropylene
45 +	Piston Ring, Air Valve	2	44-427-00	Phenolic
46 +	Ring, Expander, Air Valve	2	44-537-00	Stainless Steel
47	O-ring	4	46-179-00	Teflon
48	Diaphragm, Backup	2	46-197-10	Buna
50	Diaguard	2	46-105-00	Teflon
51	Gortex Tape	2	60-001-00	Teflon
61	Lock Washer	14	60-053-00	Stainless Steel
62	Hex Nut	11	51-743-00	Stainless - Zinc Plated
65 +	Gasket, Air Valve / Spool	1	47-348-00	Fiber
66	Flat SOC Cap	1	51-751-00	Oxide Coated Steel
67	O-ring	12	47-351-00	Buna
68	Housing, Spool	1	46-496-10	Aluminum, Anodized
78	Housing, Air Valve	1	46-495-10	Cyglass
82 +	Pilot Spool, Air Valve	1	47-341-00	Stainless Steel
83 +	Spool Ring, Air Valve	2	47-463-00	Buna / Phenolic
85	Coupling Nut, Hex	1	46-533-00	Steel - Zinc Plated
86	Chamber, Air	2	47-342-50	Aluminum
89	Cap Screw	2	60-037-00	Stainless Steel
91	Cap Screw	1	60-036-00	Stainless Steel
95	Cap Screw, Socket Head	4	51-749-00	Stainless Steel
96	Washer	8	52-128-43	Stainless Steel
97	Washer	8	60-051-00	Stainless Steel
102	Terminal Ring	1	60-070-00	Tin
103	Terminal Ring	1	60-071-00	Tin
	Air Valve Rebuild Kit			
	-Includes all parts with +	1	47-664-00	
	Elastomer Kit	1	46-200-55	

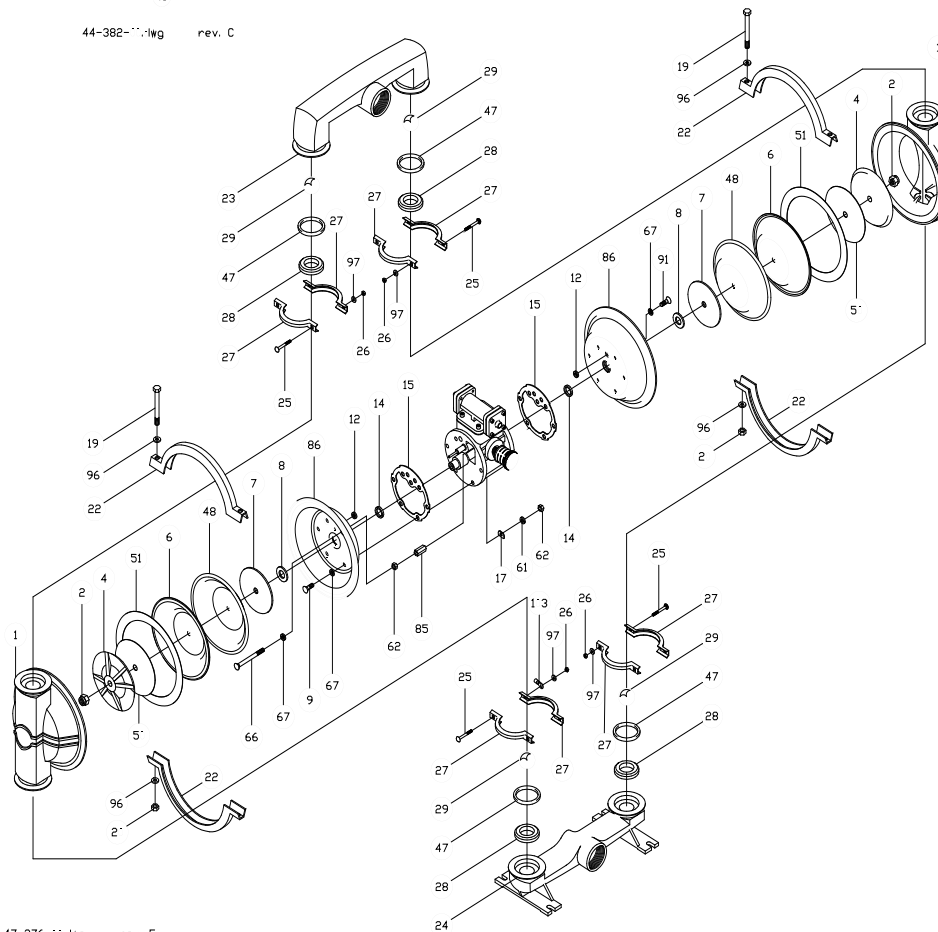


PRICE PUMP CO.

1-1/2" Aluminum AOD
Teflon Elastomers



44-382-11.dwg rev. C



47-376-11.dwg rev. E

Price Pump Co.

2203 Smeed Pkwy * Cadwell, ID 83605 * (208) 406-6871 * Fax (208) 402-6856



1 1/2" AOD Cast Iron Parts List

(All Elastomers Except Teflon)

PRICE PUMP CO.

AOD1.5Ciplist.doc rev. D

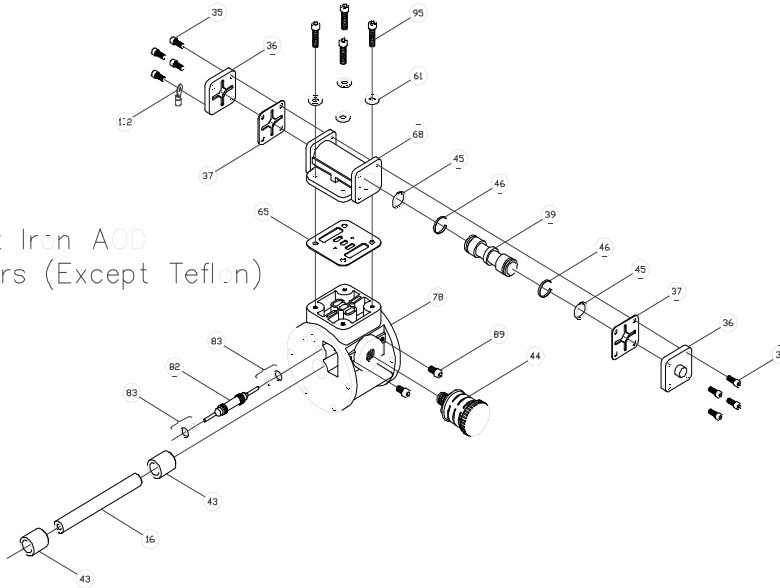
Key #	Description	Quantity	Part #	Material
1	Chamber, Pump	2	45-158-02	Cast Iron
4	Plate, Diaphragm (Outer)	2	45-155-02	Cast Iron
6	Diaphragm	2	44-150-**	Customer Choice
7	Plate, Diaphragm (Inner)	2	46-852-00	Stainless Steel
8	Bumper	2	44-151-00	Polyurethane
9	Cap Screw	10	51-750-00	Stainless Steel
12 +	Seal	2	44-431-00	Molythane
14 +	Seal	2	44-432-00	Molythane
15 +	Gasket, Air Valve / Chamber	2	46-564-00	Rubber
16	Shaft, Pump	1	44-152-00	Steel - Nitrided
17	"D" Flat Washer	10	47-370-00	Stainless Steel
19	Bolt, Hex	4	51-679-00	Stainless Steel
20	Hex Nut	4	60-061-SS	Stainless Steel
22	Clamp Half	4	44-147-00	Steel - Zinc Plated
23	Manifold, Discharge	1	45-156-02	Cast Iron
24	Manifold, Suction	1	45-157-02	Cast Iron
28	Seat, ball Valve	4	44-145-**	Customer Choice
29	Ball Valve	4	44-144-**	Customer Choice
35	Cap Screw, Socket Head	8	51-640-00	Steel - Zinc Plated
36	Cap, Spool, Air Valve	2	45-743-40	Aluminum
37 +	Gasket, Cap	2	45-728-00	Polyurethane 85 Duro
39 +	Spool, Air Valve	1	47-196-00	Phenolic
43 +	Sleeve, Bushing	2	44-186-00	Bronze
44 +	Muffler	1	44-284-66	Polypropylene
45 +	Piston Ring, Air Valve	2	44-427-00	Phenolic
46 +	Ring, Expander, Air Valve	2	44-537-00	Stainless Steel
52	Hex Screw	8	60-012-00	Steel
53	Flat Washer	16	60-048-00	Steel - Zinc Plated
54	Hex Nut	8	60-062-00	Steel - Zinc Plated
61	Lock Washer	14	60-053-00	Stainless Steel
62	Lock Nut	11	51-743-00	Stainless - Zinc Plated
65 +	Gasket, Air Valve / Spool	1	47-348-00	Fiber
66	Flat SOC Cap	1	51-751-00	Oxide Coated Steel
67	O-ring	12	47-351-00	Buna
68	Housing, Spool	1	46-496-10	Aluminum, Anodized
78	Housing, Air Valve	1	46-495-10	Cyglass
82 +	Pilot Spool	1	47-341-00	Stainless Steel
83 +	Spool Ring Assembly	2	47-463-00	Buna / Phenolic
85	Coupling Nut, Hex	1	46-533-00	Steel - Zinc Plated
86	Chamber, Air	2	47-342-04	Aluminum
89	Cap Screw	2	60-037-00	Stainless Steel
91	Cap Screw	1	60-036-00	Stainless Steel
95	Cap Screw, Socket Head	4	51-749-00	Stainless Steel
96	Washer	8	52-128-43	Stainless Steel
102	Terminal Ring	1	60-070-00	Tin
103	Terminal Ring	1	60-072-00	Tin
	Air Valve Rebuild Kit			
	-Includes all parts with +	1	47-664-00	
	Elastomer Kit	1	44-808-**	

** Elastomers:
00 - Neoprene
10 - Buna-N
20 - Viton
30 - Nordel
60 - Santoprene

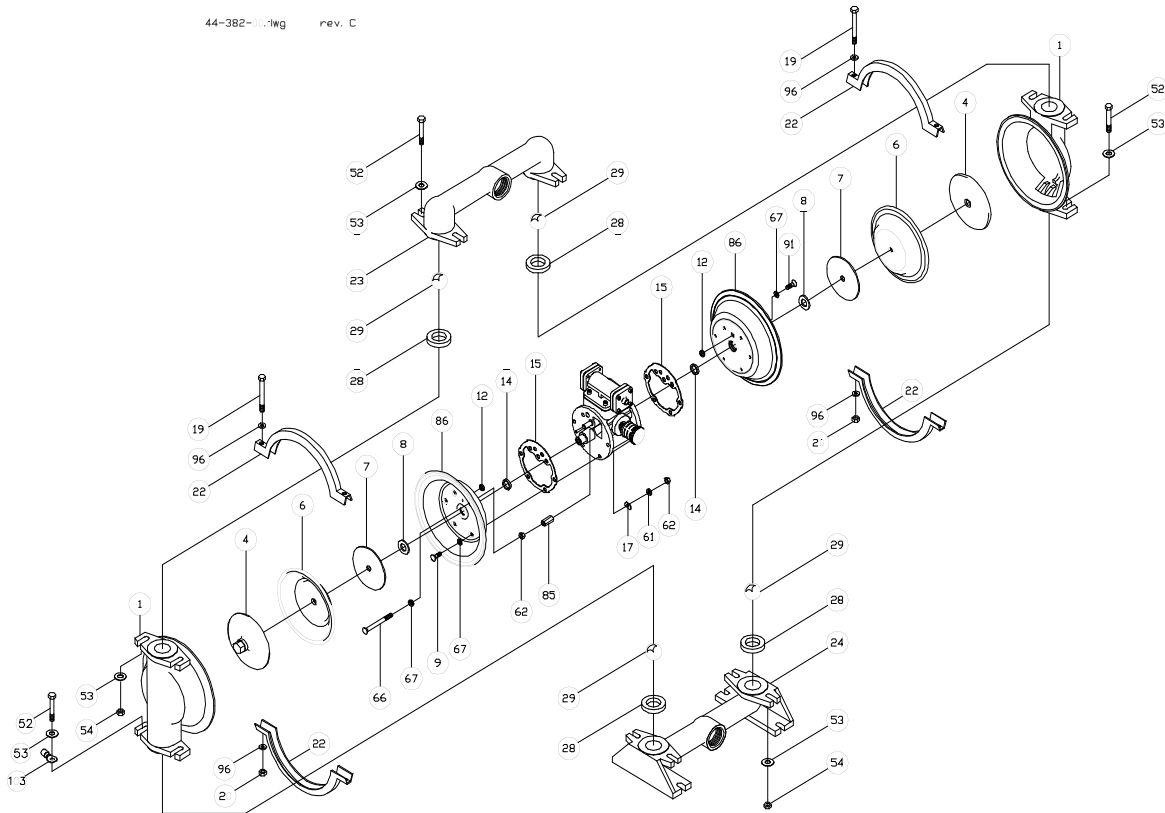


PRICE PUMP CO.

1-1/2" Cast Iron AOD
All Elastomers (Except Teflon)



44-382-01.dwg rev. C



47-373-01.dwg rev. C

Price Pump Co.
2203 Smeed Pkwy * Cadwell, ID 83605 * (208) 406-6871 * Fax (208) 402-6856



1 1/2" AOD Cast Iron Parts List

(Teflon Elastomers)

PRICE PUMP CO.

AOD1.5CI-Tplist.doc rev. H

Key #	Description	Quantity	Part #	Material
1	Chamber, Pump	2	45-158-02	Cast Iron
4	Plate, Diaphragm (Outer)	2	45-155-02	Cast Iron
6	Diaphragm	2	44-150-50	Teflon
7	Plate, Diaphragm (Inner)	2	46-852-00	Stainless Steel
8	Bumper	2	44-151-00	Polyurethane
9	Cap Screw	10	51-750-00	Stainless Steel
12 +	Seal	2	44-431-00	Molythane
14 +	Seal	2	44-432-00	Molythane
15 +	Gasket, Air Valve / Chamber	2	46-564-00	Polyurethane
16	Shaft, Pump	1	46-478-00	Steel - Nitrided
17	"D" Flat Washer	10	47-370-00	Stainless Steel
19	Bolt, Hex	4	51-679-00	Stainless Steel
20	Hex Nut	4	60-061-SS	Stainless Steel
22	Clamp Half	4	44-147-00	Steel - Zinc Plated
23	Manifold, Discharge	1	45-156-02	Cast Iron
24	Manifold, Suction	1	45-157-02	Cast Iron
28	Seat, ball Valve	4	46-102-00	Stainless Steel
29	Ball, Valve 1-7/8 "	4	44-144-50	Teflon
35	Cap Screw, Socket Head	8	51-640-00	Steel - Zinc Plated
36	Cap, Spool, Air Valve	2	45-743-40	Aluminum
37 +	Gasket, Cap 85 +/- Duro	2	45-728-00	Polyurethane
39 +	Spool, Air Valve	1	47-196-00	Phenolic
43 +	Sleeve, Bushing	2	44-186-00	Bronze
44 +	Muffler	1	44-284-66	Polypropylene
45 +	Piston Ring, Air Valve	2	44-427-00	Phenolic
46 +	Ring, Expander, Air Valve	2	44-537-00	Stainless Steel
47	O-ring	8	46-103-00	Teflon
48	Diaphragm, Backup	2	46-197-10	Buna
50	Diaguard	2	46-105-00	Teflon
51	Gortex Tape	2	60-001-00	Teflon
52	Hex Screw	8	60-012-00	Steel - Zinc Plated
53	Flat Washer	16	60-048-00	Steel - Zinc Plated
54	Hex Nut L/N	8	60-062-00	Steel - Zinc Plated
61	Lock Washer	14	60-053-00	Stainless Steel
62	Hex Nut	11	51-743-00	Stainless - Zinc Plated
65 +	Gasket, Air Valve / Spool	1	47-348-00	Fiber
66	Flat SOC Cap	1	51-751-00	Steel - Zinc Plated
67	O-ring	12	47-351-00	Buna
68	Housing, Spool	1	46-496-10	Aluminum, Anodized
78	Housing, Air Valve	1	46-495-10	Cyglass
82 +	Pilot Spool	1	47-341-00	Stainless Steel
83 +	Spool Ring Assembly	2	47-463-00	Buna / Phenolic
85	Coupling Nut, Hex	1	46-533-00	Steel - Zinc Plated
86	Chamber, Air	2	47-342-50	Aluminum
89	Cap Screw	2	60-037-00	Stainless Steel
91	Cap Screw	1	60-036-00	Stainless Steel
95	Cap Screw, Socket Head	4	51-749-00	Stainless Steel
96	Washer	8	52-128-43	Stainless Steel
102	Terminal Ring	1	60-070-00	Tin
103	Terminal Ring	1	60-072-00	Tin
	Air Valve Rebuild Kit	1	47-664-00	
	-Includes all parts with +			
	Elastomer Kit	1	46-480-00	



1 1/2" AOD Stainless Steel Parts List

(All Elastomers Except Teflon)

PRICE PUMP CO.

AOD1.5SSplst.doc rev. F

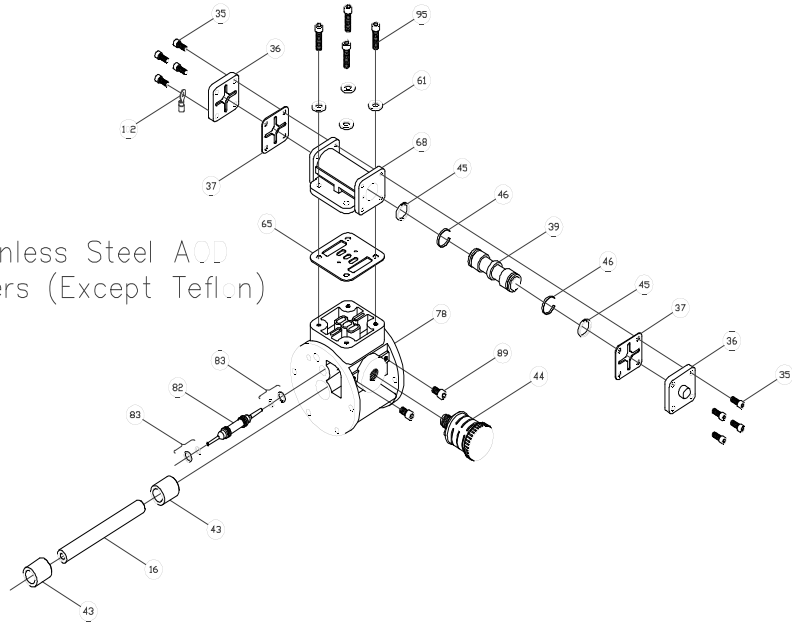
Key #	Description	Quantity	Part #	Material
1	Chamber, Pump	2	44-687-10	Stainless Steel
4	Plate, Diaphragm (Outer)	2	44-904-10	Stainless Steel
6	Diaphragm	2	44-150-**	Customer Choice
7	Plate, Diaphragm (Inner)	2	46-852-00	Stainless Steel
8	Bumper	2	44-151-00	Polyurethane
9	Cap Screw	10	51-750-00	Stainless Steel
12 +	Seal	2	44-431-00	Molythane
14 +	Seal	2	44-432-00	Molythane
15 +	Gasket, Air Valve / Chamber	2	46-564-00	Rubber
16	Shaft, Pump	1	44-152-00	Steel - Nitrided
17	"D" Flat Washer	10	47-370-00	Stainless Steel
19	Cap Screw	4	51-679-00	Stainless Steel
20	Hex Nut	4	60-061-SS	Stainless Steel
22	Clamp Half	4	44-990-00	Stainless Steel
23	Manifold, Discharge	1	44-689-10	Stainless Steel
24	Manifold, Suction	1	44-688-10	Stainless Steel
25	Carriage Bolt	8	60-032-00	Stainless Steel
26	Hex Nut	8	60-059-00	Steel - Zinc Plated
27	Clamp, Half	8	44-946-00	Stainless Steel
28	Seat, ball Valve	4	44-145-**	Customer Choice
29	Ball Valve	4	44-144-**	Customer Choice
35	Cap Screw, Socket Head	8	51-640-00	Steel - Zinc Plated
36	Cap, Spool, Air Valve	2	45-743-40	Aluminum
37 +	Gasket, Cap	2	45-728-00	Polypropelene, 85 Duro
39 +	Spool, Air Valve	1	47-196-00	Phenolic
43 +	Sleeve, Bushing	2	44-186-00	Bronze
44 +	Muffler	1	44-284-66	Polypropylene
45 +	Piston Ring, Air Valve	2	44-427-00	Phenolic
46 +	Ring, Expander, Air Valve	2	44-537-00	Stainless Steel
61	Lock Washer	14	60-053-00	Stainless Steel
62	Hex Nut	11	51-743-00	Stainless - Zinc Plated
65 +	Gasket, Air Valve / Spool	1	47-348-00	Fiber
66	Flat SOC Cap	1	51-751-00	Oxide Coated Steel
67	O-ring	12	47-351-00	Buna
68	Housing, Spool	1	46-496-10	Aluminum, Anodized
78	Housing, Air Valve	1	46-495-10	Cyllass
82 +	Pilot Spool	1	47-341-00	Stainless Steel
83 +	Spool Ring Assembly	2	47-463-00	Buna / Phenolic
85	Coupling Nut, Hex	1	46-533-00	Steel - Zinc Plated
86	Chamber, Air	2	47-342-04	Aluminum
89	Cap Screw	2	60-037-00	Stainless Steel
91	Cap Screw	1	60-036-00	Stainless Steel
95	Cap Screw, Socket Head	4	51-749-00	Stainless Steel
96	Washer	8	52-128-43	Stainless Steel
97	Washer	8	60-051-00	Stainless Steel
102	Terminal Ring	1	60-070-00	Tin
103	Terminal Ring	1	60-071-00	Tin
	Air Valve Rebuild Kit	1	47-664-00	
	-Includes all parts with +			
	Elastomer Kit	1	44-808-**	

** Elastomers: 00 - Neoprene 20 - Viton 60 - Santoprene
 10 - Buna-N 30 - Nordel

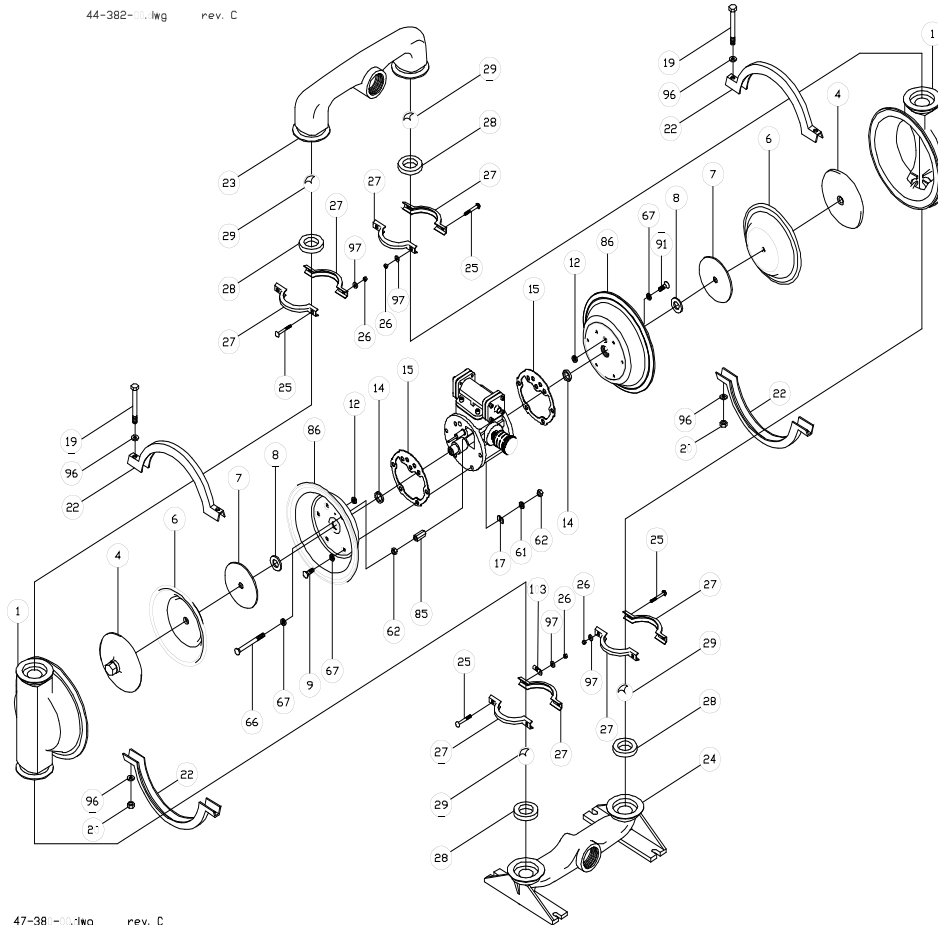


PRICE PUMP CO.

1-1/2" Stainless Steel AOD
All Elastomers (Except Teflon)



44-382-00.dwg rev. C



47-38-00.dwg rev. C

Price Pump Co.

2203 Smeed Pkwy * Cadwell, ID 83605 * (208) 406-6871 * Fax (208) 402-6856



1 1/2" AOD Stainless Steel Parts List

(Teflon Elastomers)

PRICE PUMP CO.

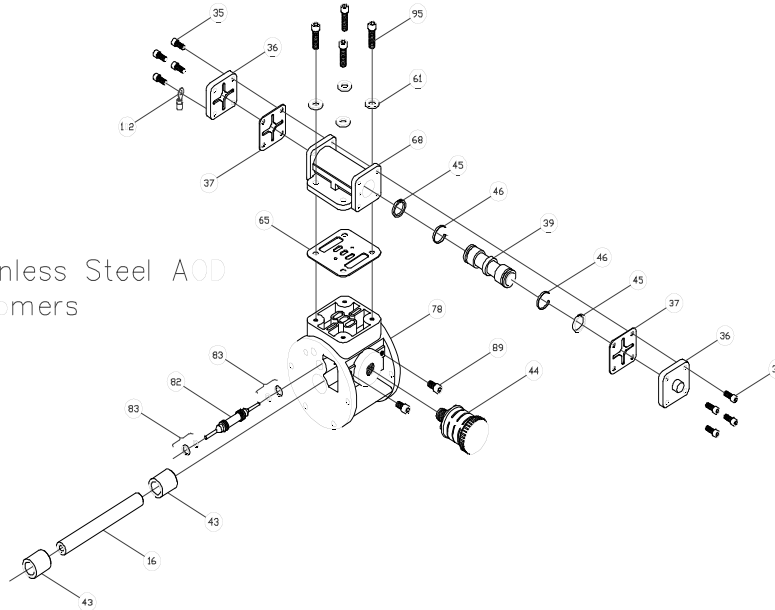
AOD1.5SS-Tplist.doc rev. I

Key #	Description	Quantity	Part #	Material
1	Chamber, Pump	2	44-687-20	Stainless Steel
4	Plate, Diaphragm (Outer)	2	44-904-10	Stainless Steel
6	Diaphragm	2	44-150-50	Teflon
7	Plate, Diaphragm (Inner)	2	46-852-00	Stainless Steel
8	Bumper	2	44-151-00	Polyurethane
9	Cap Screw	10	51-750-00	Stainless Steel
12 +	Seal	2	44-431-00	Molythane
14 +	Seal	2	44-432-00	Molythane
15 +	Gasket, Air Valve / Chamber	2	46-564-00	Rubber
16	Shaft, Pump	1	46-478-00	Steel - Nitrided
17	"D" Flat Washer	10	47-370-00	Stainless Steel
19	Cap Screw	4	51-679-00	Stainless Steel
20	Hex Nut	4	60-061-SS	Stainless Steel
22	Clamp Half	4	44-990-00	Stainless Steel
23	Manifold, Discharge	1	44-689-10	Stainless Steel
24	Manifold, Suction	1	44-688-20	Stainless Steel
25	Carriage Bolt	8	60-032-00	Stainless Steel
26	Hex Nut	8	60-059-00	Steel - Zinc Plated
27	Clamp, Half	8	44-946-00	Stainless Steel
28	Seat, ball Valve	4	46-169-20	Stainless Steel
29	Ball, Valve	4	44-144-50	Teflon
35	Cap Screw, Socket Head	8	51-640-00	Stainless Steel
36	Cap, Spool, Air Valve	2	45-743-40	Aluminum
37 +	Gasket, Cap	2	45-728-00	Polyurethane
39 +	Spool, Air Valve	1	47-196-00	Phenolic
43 +	Sleeve, Bushing	2	44-186-00	Bronze
44 +	Muffler	1	44-284-66	Polypropylene
45 +	Piston Ring, Air Valve	2	44-427-00	Phenolic
46 +	Ring, Expander, Air Valve	2	44-537-00	Stainless Steel
47	O-Ring	4	46-179-00	Teflon # 330
48	Diaphragm, Backup	2	46-197-10	Buna
50	Diaguard	2	46-105-00	Teflon
51	Gortex Tape	2	60-001-00	Teflon
61	Lock Washer	14	60-053-00	Stainless Steel
62	Hex Nut	11	51-743-00	Stainless - Zinc Plated
65 +	Gasket, Air Valve / Spool	1	47-348-00	Fiber
66	Flat SOC Cap	1	51-751-00	Oxide Coated Steel
67	O-ring	12	47-351-00	Buna
68	Housing, Spool	1	46-496-10	Aluminum, Anodized
78	Housing, Air Valve	1	46-495-10	Cyglass
82 +	Pilot Spool	1	47-341-00	Stainless Steel
83 +	Spool Ring Assembly	2	47-463-00	Buna / Phenolic
85	Coupling Nut, Hex	1	46-533-00	Steel - Zinc Plated
86	Chamber, Air	2	47-342-50	Aluminum
89	Cap Screw	2	60-037-00	Stainless Steel
91	Cap Screw	1	60-036-00	Stainless Steel
95	Cap Screw, Socket Head	4	51-749-00	Stainless Steel
96	Washer	8	52-128-43	Stainless Steel
97	Washer	8	60-051-00	Stainless Steel
102	Terminal Ring	1	60-070-00	Tin
103	Terminal Ring	1	60-071-00	Tin
	Air Valve Rebuild Kit			
	-Includes all parts with +	1	47-664-00	
	Elastomer Kit	1	46-200-55	

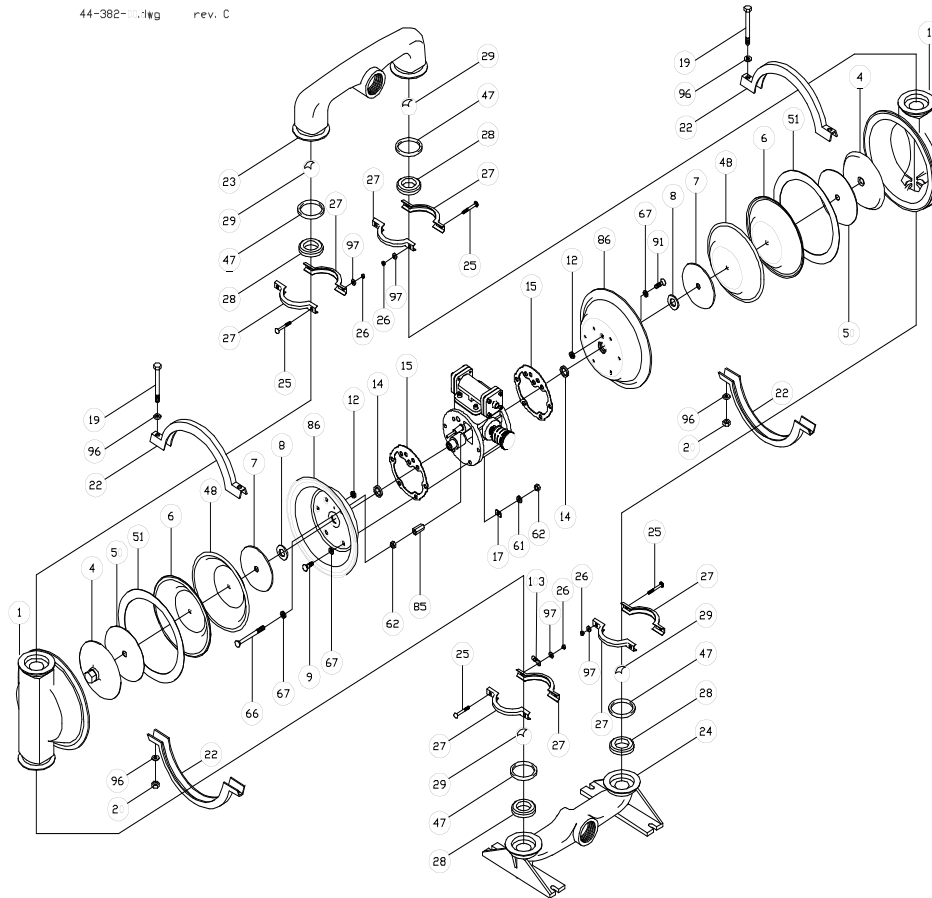


PRICE PUMP CO.

1-1/2" Stainless Steel AOD
Teflon Elastomers



44-382-11wg rev. C



47-379-11wg rev. D

Price Pump Co.

2203 Smeed Pkwy * Cadwell, ID 83605 * (208) 406-6871 * Fax (208) 402-6856

PRICE AOD® PUMP CAUTIONS & WARNINGS

- **CAUTION:** A Static charge buildup could occur in a plastic pump or an electrically insulated metal pump.
- **WARNING:** Any contaminants in the air supply will be exhausted out the muffler to the atmosphere.
- It is recommended that all piping connections to the pump should be flexible.
- **WARNING:** Verify chemical compatibility of the pump materials of construction with the fluid being pumped before use.
- Price AOD® pumps are not designed for use in sanitary or food applications.
- Submerged Price AOD® pumps should have their exhaust piped away from the liquid level. A submerged pump may leak some air from gasketed joints. Do not submerge pumps in corrosive fluids or media.
- A pump which has stopped due to air valve ‘icing’ will restart by itself when the ice is removed or melts.
- Use only Price Pump original equipment factory replacement parts.
- **CAUTION:** Before start-up, re-torque all external fasteners to the values listed in this I&O manual supplied with the pump.
- Pump fluid temperature limits must be observed:
 - Non-Metallic pumps - 180 - 212 deg. F max. (82 - 100 deg. C) depending on pump material or elastomers.
 - Metallic pumps - 180 - 248 deg. F max. (82 - 120 deg. C) depending on elastomers.
- **CAUTION:** Do not exceed 125 psi (8.8 Bar) air inlet pressure as component damage or personal injury may result.
- Price AOD® pumps must only be operated by clean, oil free, dry compressed air.
- Shut off, bleed down and disconnect the compressed air supply before doing any maintenance or repair to the pump.
- The pump should be flushed before disassembly. The pump should be inverted (outlet at bottom) to drain properly.
- **WARNING:** A diaphragm failure could:
 - Cause the system to which the pump is connected to be pressurized up the compressed air supply line and mix air with the fluid being pumped.
 - Cause the fluid being pumped to be sprayed out through the exhaust muffler.
- **CAUTION:** Aluminum Price AOD® pumps are not suitable for use with 1, 1, 1-trichloroethane, methylene chloride or other materials containing halogenated hydrocarbons. Aluminum wetted parts can react with these solvents and explode. Consult solvent suppliers for compatibility with aluminum pumps before installation.
- **CAUTION:** For 1-1/2", 2" and 3" Price AOD® pumps, unit weight may exceed 65 lbs. (30 kg).

Price AOD® pump sound levels at a distance of 3 ft. (1 meter) with an air inlet pressure of 35 psig.

Pump Size (in Inches)	Pump Material	Sound Pressure Level (RMS db)
1/2"	Non-Metallic	82 db
1"	Non-Metallic	82 db
1"	Metallic	82 db
1-1/2"	Metallic	82 db
2"	Non-Metallic	79 db
2"	Metallic	80 db
3"	Metallic	80 db

Warning and Safety instructions - ATEX

Please observe all Warning and Safety notes



This symbol marks notes which contain safety relevant information. If this information is disregarded or the pump is operated not in accordance with the appropriate instructions, potentially dangerous situations may result which may cause harm to humans, production plants and machines.



This symbol marks notes and instructions relevant to installing and operating **E_x** approved pumps in explosion hazardous areas.

Pumps for use in hazardous areas

Pumps for use in explosion hazardous areas are marked accordingly showing the approved zone and group. If the pump is marked as shown below it can be used in hazardous areas, Zone 1 according to the current ATEX regulations. The special conditions for this operation must be strictly adhered to as outlined in the ATEX manual.

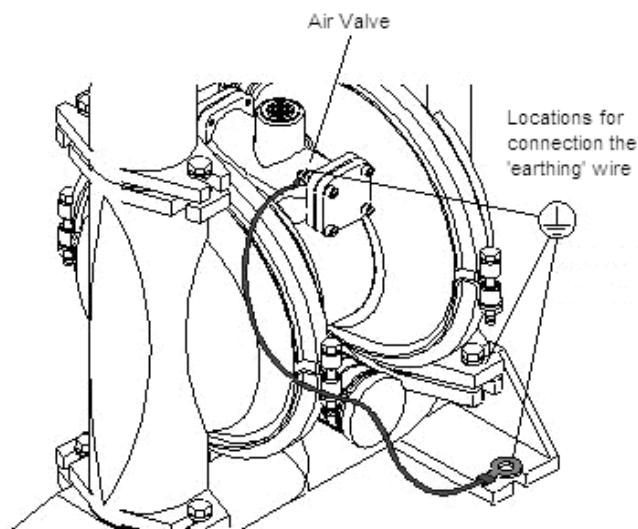
E_x II 2 G c II T4
LU 03 ATEX M003X



The pump must be connected to earth. The wire used for this must have a cross section of not less than **4 mm²**.



The wire used to earth the pump must be connected to the Air Valve of the pump (as shown in the drawing below), and then to the earth. Prior to any installation work on the pump the earthing wire has to be connected. If the pump is being removed the earthing wire must be removed last.



Any maintenance work on the pump should only be carried out by trained maintenance personnel.



If the pump is modified in any way, without the approval of the manufacturer, the pump may not be installed or used in hazardous areas.

EC Declaration of Conformity / EG Konformitätserklärung / Déclaration de conformité CE

we, wir, nous

Price Pump Company
21775 Eight Street East
Sonoma CA. 95476 USA

bearing sole responsibility, hereby declare that the product:
erklären in alleiniger Verantwortung, dass das Produkt:
déclarons de notre seule responsabilité que le produit:

Air-operated double diaphragm Pump Series
Druckluftgetriebene Doppelmembranpumpe Serie
Pompe pneumatique à double membrane Série

AOD1 / AOD1.5 / AOD2 / AOD3
Aluminum, Cast iron, Stainless steel
Aluminium, Grauguss, Edelstahl
Aluminium, Fonte, Acier inox

referred to by this declaration of conformity with the following standards or normative documents
auf das sich diese Erklärung bezieht, mit der nachfolgenden Norm oder normativen Dokumente übereinstimmt
auquel se rapporte la présente déclaration est conforme aux normes ou aux documents normatifs suivants.

EN 13463-1: 2009	Non-electrical equipment for use in potentially explosive atmospheres, basic method and requirements <i>Nicht-elektrische Geräte in explosionsgefährdeten Bereichen, Grundlagen</i> <i>Matériels non électriques pour utilisation en atmosphères explosibles, Prescriptions et méthodes de base</i>
EN 13463-5: 2003	Non-electrical equipment for use in potentially explosive atmospheres, protection by constructional safety <i>Nicht-elektrische Geräte in explosionsgefährdeten Bereichen, konstruktive Sicherheit</i> <i>Matériels non électriques pour utilisation en atmosphères explosibles, Protection par sécurité de construction</i>
EN 14121-1: 2008	Safety of machinery Risk assessment <i>Sicherheit von Maschinen Risikobeurteilung</i> <i>Sécurité des machines - Appréciation du risque</i>
EN 1127-1: 2007	Explosive atmospheres. Explosion prevention and protection Basic concepts and methodology <i>Explosionsfähige Atmosphären – Explosionsschutz Grundlagen und Methodik</i> <i>Prévention de l'explosion et protection contre l'explosion – Notions fondamentales et méthodologie</i>
98/37/EG	Directive of the European Parliament and of the Council of 22nd June 1998 on the approximation of the laws of the Member States relating to machinery <i>Richtlinie des Europäischen Parlaments und des Rates vom 22. Juni 1998 zur Angleichung der Rechts- und Verwaltungsvorschriften der Mitgliedstaaten für Maschinen</i> <i>Directive 98/37/CE du Parlement Européen et du Conseil du 22 juin 1998 concernant le rapprochement des législations des États membres relatives aux machines</i>
94/9/EG	Directive 94/9/EC of the European Parliament and the Council of 23rd March 1994 on the approximation of the laws of the member states concerning equipment and protective systems intended for use in potentially explosive atmospheres. <i>Richtlinie des Europäischen Parlaments und des Rates vom 23. März 1994 zur Angleichung der Rechtsvorschriften der Mitgliedstaaten für Geräte und Schutzsysteme zur bestimmungsgemässen Verwendung in explosionsgefährdeten Bereichen</i> <i>Directive 94/9/CE du Parlement Européen et du Conseil du 23 mars 1994 concernant le rapprochement des législations des États membres relatives aux équipements et systèmes protectives pour utilisation en atmosphères explosibles</i>

Type of protection
Zündschutzart
Mode de protection Ex


 **II 2G c II T4**
Fördermedium T_{max} 80 ° C


Registry number
Registriernummer
Numéro d'enregistrement

LU 03 ATEX M003X

Place: Sonoma, Ca
Ort
Lieu

Date: 20.08.2009
Datum
Date


Joe Keechler
Quality Manager
Price Pump Co.


Pawel Bankowsky
Director of Engineering
Price Pump Co.

GENERAL TERMS OF SALE FOR PRODUCTS



1. GENERAL

A. Seller's price is based on these sales terms and conditions. The agreement and inclusion of other or amended terms in this contract will result in a change (including increase) in Seller's price (as may be contained in any price books or quotations) to reflect such other or amended terms. This contract shall represent the final, complete and exclusive statement of the agreement between the parties and may not be modified, supplemented, explained or waived by parole evidence, any Terms and Conditions contained in Buyer's purchase order or request for quotation, any course of dealings between the parties, Seller's performance or delivery, or in any other way. The Terms and Conditions of this contract may only be modified or waived in a written document signed by an Officer of Seller. These terms are intended to cover all activity of Seller and Buyer hereunder, including sales and use of products, parts and work and all related matters (references to products include parts and references to work include construction, installation and start-up). Any reference by Seller to Buyer's specifications and similar requirements are only to describe the products and work covered hereby and no warranties or other terms therein shall have any force of effect. Any information provided by Seller including, but not limited to, suggestions as to specific equipment does not imply any guarantee of specific suitability and/or material compatibility in a particular application, since many factors outside the control of Seller may affect the suitability of products in a particular application. Catalogs, circulars, similar pamphlets and information contained on websites of the Seller are issued for general information purposes only and shall not be deemed to modify the provisions hereof.

B. The agreement formed hereby and the language herein shall be construed and enforced under the Uniform Commercial Code as in effect in the State of California on the date hereof.

2. TAXES

Any sales, use or other similar type taxes imposed on this sale or on this transaction and/or any import or export duties or fees as may be assessed or imposed on or as a result of deliveries under this transaction are not included in the price. Such taxes shall be billed separately to the Buyer. Seller will accept a valid exemption certificate from the Buyer if applicable; however, if an exemption certificate previously accepted is not recognized by the governmental taxing authority involved and the Seller is required to pay the tax covered by such exemption certificate. Buyer agrees to promptly reimburse Seller for the taxes paid.

3. PERFORMANCE, INSPECTION AND ACCEPTANCE

A. Unless Seller specifically assumes installation, construction or start-up responsibility, all products shall be finally inspected and accepted within thirty (30) days after arrival at point of delivery. Where seller has responsibility for installation, construction or start-up all work shall be finally inspected and accepted within thirty (30) days after completion of the applicable work by Seller. All claims whatsoever by Buyer, (including claims for shortages) except only those provided for under the WARRANTY AND LIMITATION OF LIABILITY and PATENTS Clauses, hereof, must be asserted in writing by Buyer within said thirty (30) day period or they are waived. If this contract involves partial performance, all such claims must be asserted within said thirty (30) day period for each partial performance. There shall be no revocation of acceptance. Rejection may be only for defects substantially impairing the value of products or work and Buyer's remedy for lesser defects shall be those provided for under the WARRANTY AND LIMITATION OF LIABILITY Clause.

B. Seller shall not be responsible for non-performance or for delays in performance occasioned by any causes beyond Seller's reasonable control, including, by way of example and not limitation, to labor difficulties, delays of vendors or carriers, fires, governmental actions, or shortages of material, components, labor, or manufacturing facilities. Any delays so occasioned shall affect a corresponding extension of Seller's performance dates, which are, in any event, understood to be approximate. IN NO EVENT SHALL BUYER BE ENTITLED TO INCIDENTAL OR CONSEQUENTIAL DAMAGES FOR LATE PERFORMANCE OR FOR A FAILURE TO PERFORM. Seller reserves the right to make partial shipments and to ship products, parts or work which may be completed prior to the scheduled performance date.

C. In the event that Seller has agreed to mount motors, turbines, gears, or other products which are not manufactured by Seller and which are not an integral part of Seller's manufactured product, and a delay in the delivery of such products to Seller occurs that will cause a delay in Seller's performance date, Seller reserves the right to ship its product upon completion of manufacture and to refund an equitable portion of the amount originally included in the purchase price for mounting without incurring liability for non-performance.

D. Seller reserves to itself the right to change its specifications, drawings and standards if such changes will not impair the performance of its products, and parts, and further those products, and parts, will meet any of Buyer's specifications and other specific product requirements which are a part of this agreement. Seller is a global supplier of products and utilizes parts and products obtained worldwide, and Seller's products supplied under this contract shall be subject to Seller's sole determination as to all manufacturing, sourcing, assembly and supply unless otherwise specifically agreed in writing.

E. The manufacture and inspection of products and parts shall be to Seller's Engineering and Quality Assurance standards, plus such other inspections or tests of documentation as are specifically agreed to by Seller. Requirements for any additional inspection, tests, documentation, or Buyer witness of manufacture, test, and/or inspection shall be subject to additional charges.

4. TITLE AND RISK OF LOSS

Title and risk of loss shall pass to buyer upon delivery of products at the designated "Ex Works" as defined by Incoterms, unless other wise agreed by the parties.

5. EROSION AND CORROSION

It is specifically understood that products and parts sold hereunder are not warranted for operation with erosive or corrosive fluids or for operation with any fluid or under any operating condition in variance with the specifications of this contract. No product or part shall be deemed to be defective by reason of failure to resist erosive or corrosive action of any fluid and Buyer shall have no claim whatsoever against Seller therefore. No product shall be deemed defective by reason of any effect on Seller's products of the action or results (such as vibration) of any goods or system (such as piping) not supplied by Seller.

6. BUYER'S RESPONSIBILITY

The design specifications of the equipment require the operation of the equipment within certain parameters and may call for the use of speed controls, safety devices, set points or other control devices to insure that the operation remains within design parameters. Buyer agrees and understands that the equipment must be operated and maintained within design specifications and operated within the specifications of the contract, irrespective of whether controls or devices are otherwise required.

7. WARRANTY AND LIMITATION OF LIABILITY.

A. Seller warrants only that its product and parts, when shipped, will be free from defects in materials and workmanship. All claims for defective products or parts under this warranty must be made in writing immediately upon discovery and, in any event, within two (2) years of shipment by seller and all claims for defective work must be made in writing immediately upon discovery. Defective items must be held for Seller's inspection and returned to the seller's point of original shipment upon request.

ANY UNAUTHORIZED DISSASSEMBLY, ALTERATION OF OR TAMPERING WITH ANY PRODUCT OR COMPONENT MAY "VOID" THE WARRANTY, IN THAT SUCH ACTION WILL RESULT IN SELLER BEING RELEASED AND RELIEVED FROM ITS OBLIGATIONS UNDER THIS WARRANTY AND FOR ANY FURTHER COSTS OR ACTIONS UNDER CLAUSE 7.C, FOLLOWING, AND THE BUYER ASSUMING SOLE RESPONSIBILITY FOR THE COSTS AND RESULTS OF SUCH ACTION. THE FOREGOING IS EXPRESSLY IN LIEU OF ALL OTHER WARRANTIES WHATSOEVER, EXPRESS, IMPLIED AND STATUTORY, INCLUDING WITHOUT LIMITATION, THE IMPLIED, WARRANTIES OF MERCHANTABILITY AND FITNESS.

B. ANY PRODUCT(S) SOLD HEREUNDER WHICH ARE NOT MANUFACTURED BY SELLER ARE NOT WARRANTED BY SELLER and shall be covered only by the express warranty, if any, of the manufacturer thereof. With respect to products and parts not manufactured by Seller, Seller's only obligation shall be to assign to Buyer, to the extent possible, whatever warranty Seller obtains from the manufacturer.

C. Upon Buyer's submission of a claim as provided above and its substantiation, Seller shall at its option either (i) repair or replace its product, part or work at the original place of shipment, or (ii) refund an equitable portion of the purchase price.

D. THE FOREGOING IS SELLER'S ONLY OBLIGATION AND BUYER'S EXCLUSIVE REMEDY FOR BREACH OF WARRANTY AND, EXCEPT FOR THE REMEDIES PERMITTED UNDER THE PERFORMANCE, INSPECTION AND ACCEPTANCE AND THE PATENTS CLAUSES HEREOF, THE FOREGOING IS BUYER EXCLUSIVE REMEDY AGAINST SELLER FOR ALL CLAIMS ARISING HEREUNDER OR RELATING HERETO WHETHER SUCH CLAIMS ARE BASED ON BREACH OF CONTRACT, TORT (INCLUDING NEGLIGENCE OR STRICT LIABILITY), INDEMNITY OR OTHER THEORIES. BUYER'S FAILURE TO SUBMIT A CLAIM AS PROVIDED ABOVE SHALL SPECIFICALLY WAIVE ALL CLAIMS FOR DAMAGES OR OTHER RELIEF, INCLUDING BUT NOT LIMITED TO CLAIMS BASED ON LATENT DEFECTS. IN NO EVENT SHALL BUYER BE ENTITLED TO INDIRECT, SPECIAL, INCIDENTAL OR CONSEQUENTIAL DAMAGES, NOR FOR DAMAGES FOR LOSS OF USE, LOST PROFITS OR REVENUE, INTEREST, LOST GOODWILL, WORK OR PRODUCTION STOPPAGE, IMPAIRMENT OF OTHER GOODS, INCREASED EXPENSES OF OPERATION, OR THE COST OF PURCHASING REPLACEMENT POWER OR OTHER SERVICES BECAUSE OF SERVICE INTERRUPTIONS. FURTHERMORE, IN NO EVENT SHALL SELLER'S TOTAL LIABILITY FOR DAMAGES OF BUYER EXCEED THE PURCHASE PRICE OF THE PRODUCTS OR PARTS MANUFACTURED BY SELLER AND UPON WHICH SUCH LIABILITY IS BASED. ANY ACTION ARISING HEREUNDER RELATED HERETO, WHETHER BASED ON BREACH OF CONTRACT, TORT (INCLUDING NEGLIGENCE) OR OTHER THEORIES, MUST BE COMMENCED WITHIN ONE (1) YEAR AFTER THE CAUSE OF ACTION ACCRUES OR IT SHALL BE BARRED.

8. PURCHASER'S REPRESENTATIONS & WARRANTIES

Purchaser represents and warrants that the product(s) covered by this contract shall not be used in or in connection with a nuclear facility or application. The parties agree that this representation and warranty is material and is being relied on by seller. This provision may be modified in a separate writing signed by an officer of Price Pump Co.

9. PATENTS

Seller agrees to assume the defense of any suit for infringement of any patents brought against Buyer to the extent of such suit charges infringement of an apparatus or product claim by Seller's product in and of itself, provided (i) said product is built entirely to Seller's design, (ii) Buyer notifies Seller in writing of the filing of such suit within ten (10) days after the service of process thereof, and (iii) Seller is given complete control of the defense of such suit, including the right to defend, settle and make changes in the product for the purpose of avoiding infringement of any process or method claims. Provided however, Seller will not defend any suit for infringement of a claimed patent where such alleged infringement is the result of following specific instruction furnished by Seller.

10. EXTENT OF SUPPLY

Only products as listed in Seller's proposal are included in this agreement. It must not be assumed that Seller has included anything beyond same.

11. MANUFACTURING SOURCES

To maintain delivery schedules, Seller reserves the right to have all or any part of the Buyer's order manufactured at any of Sellers', sellers' licensees or sub contractors' plants, globally.

12. TERMS OF PAYMENT

Net 30 days from date of invoice.

13. ARBITRATION

In the event a dispute arises between the parties relating to or arising out of this agreement, the parties agree to attempt to have their senior management amicably settle the matter. In the event that the matter cannot be settled, the parties shall submit all disputes relating to this Agreement (whether the contract, tort, products liability or otherwise) to binding Arbitration before a panel of arbitrators under the Commercial Dispute Resolution Procedures of the American Arbitration Association. Each party shall appoint an arbitrator and the third shall be selected in accordance with the rules of the American Arbitration Association. Judgment upon the award may be entered in any court having jurisdiction. The parties shall cooperate in providing reasonable disclosure of relevant documents. Each party shall bear its own expenses, and the costs and fees of the arbitration shall be borne as allocated by the Arbitrator.